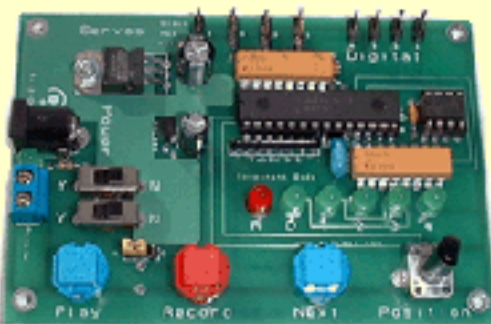


Wizard - I Board

Motion / Switched Output Controller



Applications

Board Size: 4-1/4" L x 2-3/4" W
Power: 5Vdc @ 2 Amp.



Animatronics
Haunted Attractions
Robotics
Media Arts
Other

General Description

The **WIZARD - I BOARD** is a small 5 Vdc powered interface board that will record and playback up to 5 minutes of servo motion for 4 standard 5 Vdc hobby R/C type servos and control 4 digital switched ON and OFF outputs at +5 Vdc (10 mA) per channel.

The Wizard board incorporates many features such as looping playback servo motion with variable delay between loops. An auto start-up on power option and on board connector for remote activation switching such as a PIR sensor, contact switch or mat pressure pad to initiate playback.

Recording sessions are built up on a channel by channel process - no complex programming is required. During recording, all previously recorded channels are re-played to aid synchronization the current channel being programmed. Programming is easily done, with a set of push button keys and control potentiometer built onto the board.

No host computer or other programming device is needed to operate the Wizard board. Wizard - I Board is pre-assembled and tested.

Features

- Battery remote operation or wall power operation.
- 4 Servo output channels, each capable of recording and playback of up to 5 minutes of action.
- 4 Digital switched ON/OFF channels with +5 Vdc at 10 mA outputs per channel recorded action.
- On board Potentiometer to adjust servo positions during recording or to determine the time delay between playback loops during automatic loop play - adjustable between 0 and 65 seconds.
- On board NEXT, PLAY and RECORD push buttons
- Record enable / disable jumper to protect programming.
- AUTO-PLAY and LOOP-PLAY selection switches for configuring board functions / operation.
- Remote activation switch connection.
- Programming and operation LED's - Green / Red.
- The servo outputs provide standard pulse coded signals of between 1 msec and 2 msec duration repeated every 20 msec making it suitable for all standard hobby +5 Vdc R/C type servos.
- EEPROM - containing the programmed data, can easily be removed and copied to other Wizard boards.
- On board support for other optional digital control boards (Relays, AC Controller, Motor Bridge, etc.).

Applications

- Animatronics
- Haunted Attractions
- Trade Shows
- Robotics
- Media Arts
- Marketing
- Technology
- Entertainment
- Other

Ordering Information

Catalog Number: **WAC-0001** Price US \$ **\$ 170.00**

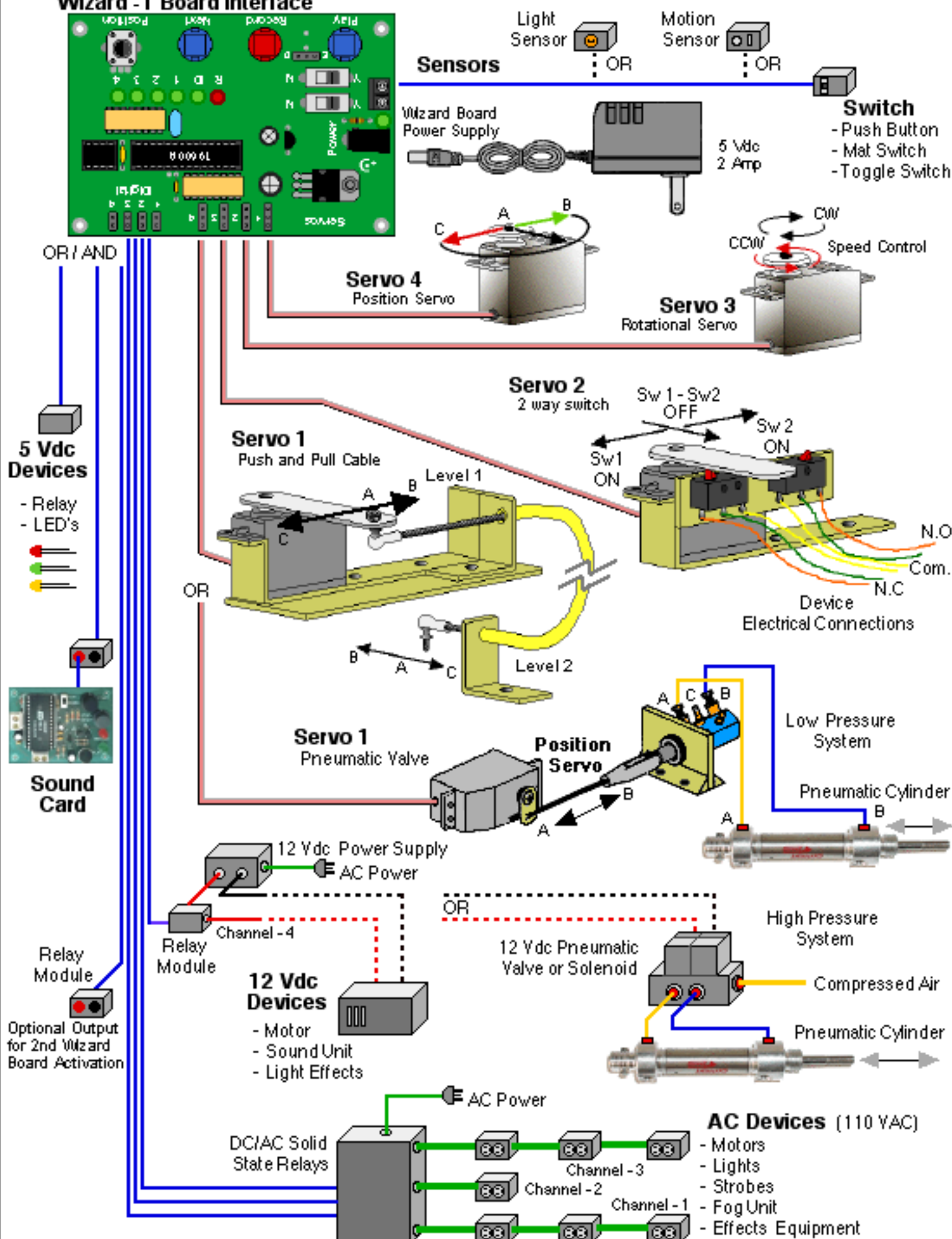
Blue Point Engineering For more information on this product or to place an order

213 Pikes Peak Place
Longmont, Colorado 80501 - 3033 USA

Phone (303) 651-3794 (MST)
http://www.BPEsolutions.com

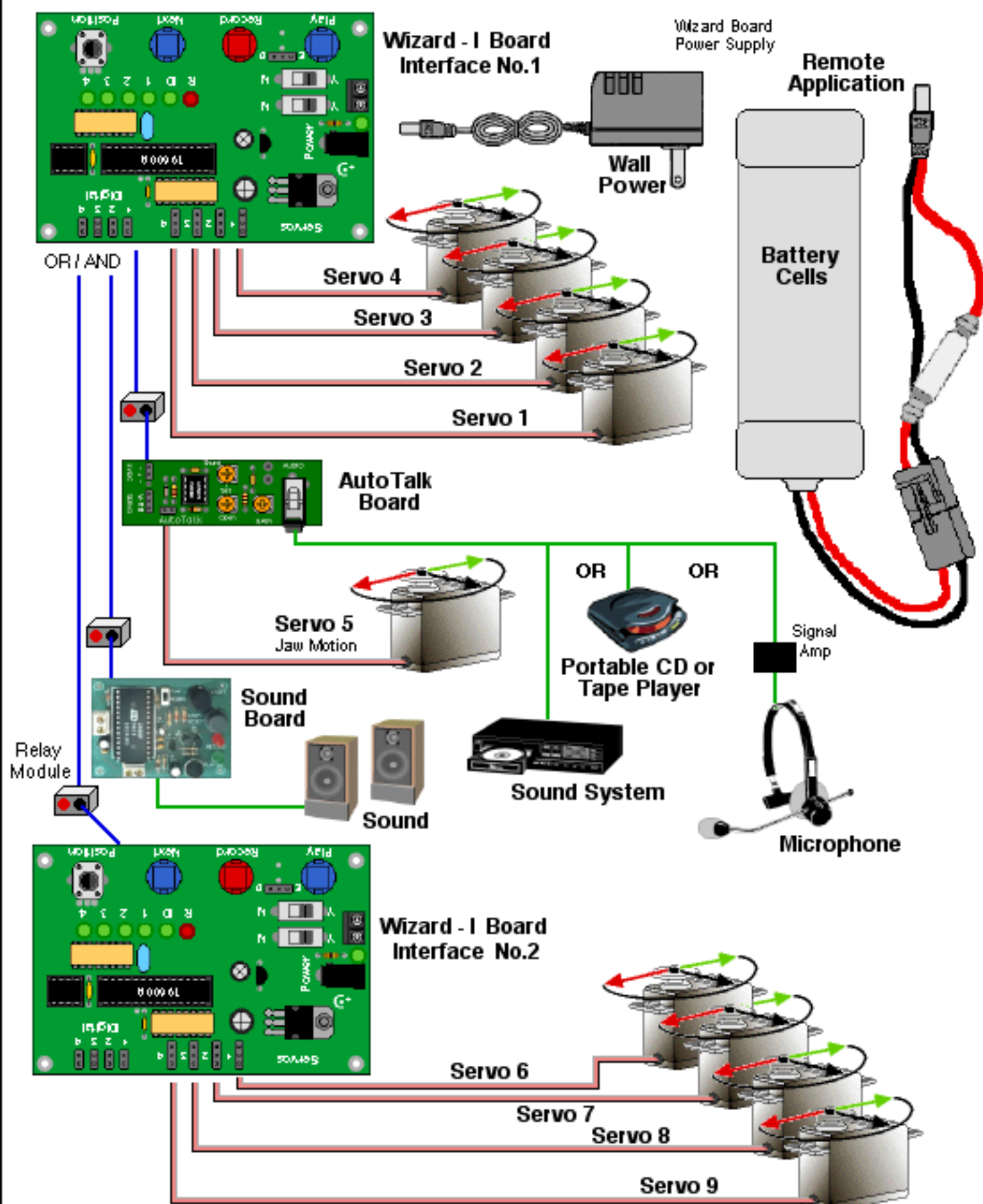
Wizard - I Board Applications

Wizard - I Board Interface



Copyright © 2002 Blue Point Engineering, All Rights Reserved

Wizard - I Board Applications



Blue Point Engineering For more information on this product or to place an order
 213 Pikes Peak Place
 Longmont, Colorado 80501 - 3033 USA

Phone (303) 651-3794 (MST)
 http://www.BPEsolutions.com