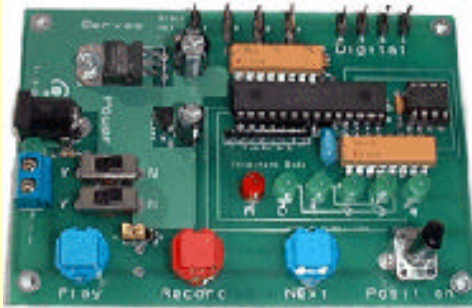


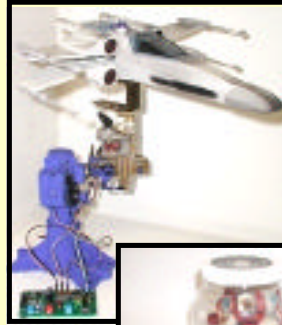
## Wizard - I Board

Motion / Switched Output Controller

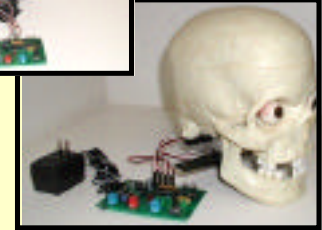


### Applications

Board Size: 4-1/4" L x 2-3/4" W  
Power : 9Vdc @ 2 Amp.



- Animatronics
- Haunted Attractions
- Robotics
- Media Arts
- Other



### General Description

The **WIZARD - I BOARD** is a small 9 Volt dc powered interface board that will record and playback up to 5 minutes of servo motion for 4 standard 5 Volt dc hobby R/C type servos and control 4 digital switched ON and OFF outputs at +5 Volt dc (100 mA) per channel.

The Wizard - I board incorporates many features such as looping playback servo motion with variable delay between loops. An auto start-up on power option and on board connector for remote activation switching such as a PIR sensor, contact switch or mat pressure pad to initiate playback.

Recording sessions are built up on a channel by channel process - no complex programming is required. During recording, all previously recorded channels are re-played to aid synchronization the current channel being programmed. Programming is easily done, with a set of push button keys and control potentiometer built onto the board.

No host computer or other programming device is needed to operate the Wizard - I board. Wizard - I Board is pre-assembled and tested.

### Applications

- Animatronics
- Haunted Attractions
- Trade Shows
- Robotics
- Media Arts
- Marketing
- Technology
- Entertainment
- Other

### Features

- Battery remote operation or wall power operation.
- 4 Servo output channels, each capable of recording and playback of up to 5 minutes of action.
- 4 Digital switched ON/ OFF channels with +5 Volt dc at 100 mA outputs per channel recorded action.
- On board Potentiometer to adjust servo positions during recording or to determine the time delay between playback loops during automatic loop play - adjustable between 0 and 65 seconds.
- On board NEXT, PLAY and RECORD push buttons
- Record enable / disable jumper to protect programming.
- AUTO-PLAY and LOOP-PLAY selection switches for configuring board functions / operation.
- Remote activation switch connection.
- Programming and operation LED's- Green and Red.
- The servo outputs provide standard pulse coded signals of between 1 msec and 2 msec duration repeated every 20 msecs making it suitable for all standard hobby +5 Volt dc R/C type servos.
- EEPROM - containing the programmed data, can easily be removed and copied to other Wizard boards.
- On board support for other optional digital control boards ( Relays, AC Controller, Motor Bridge, etc. ).

### Ordering Information

Catalog Number:  
**WAC-0001**

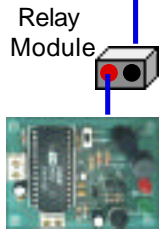
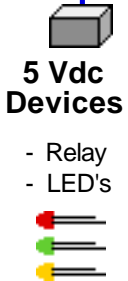
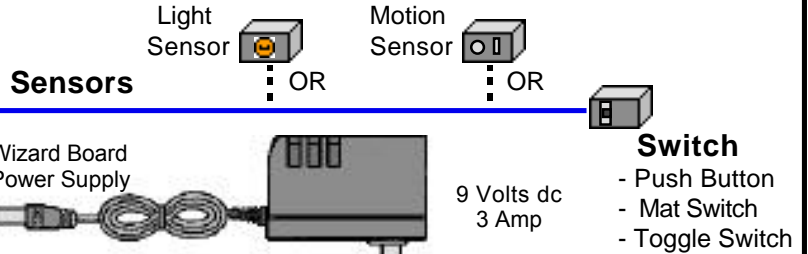
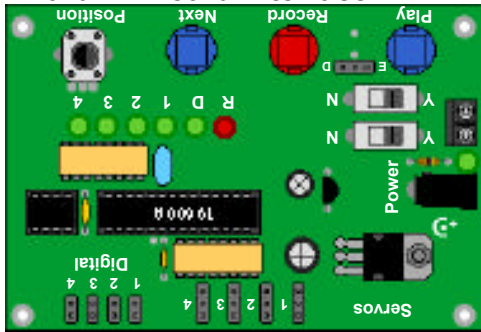
For more information on this product or to place an order

Blue Point Engineering

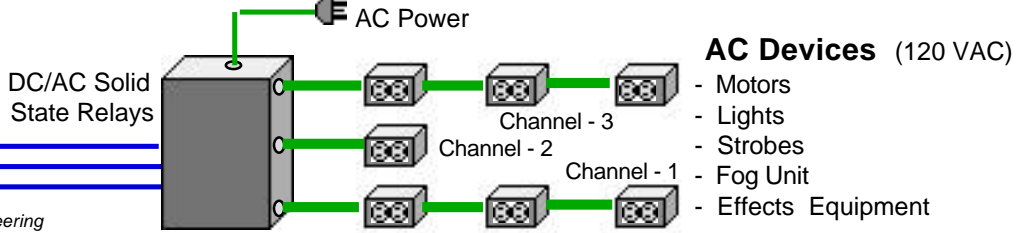
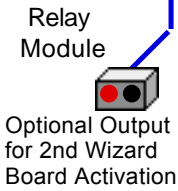
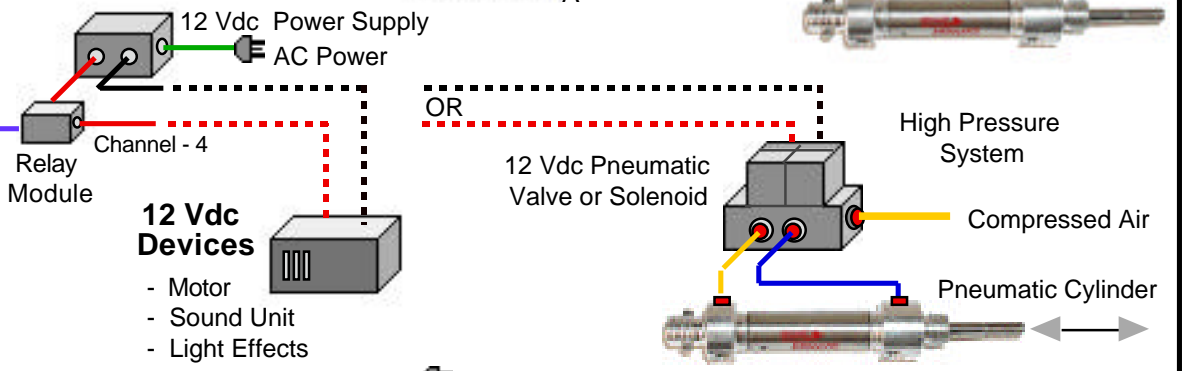
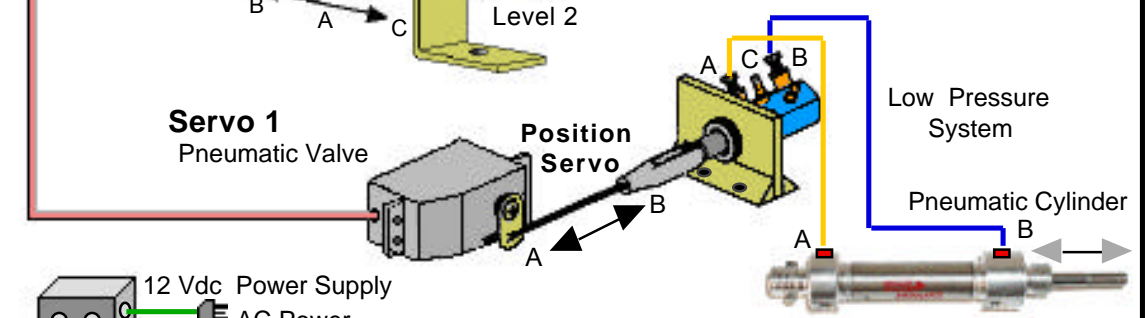
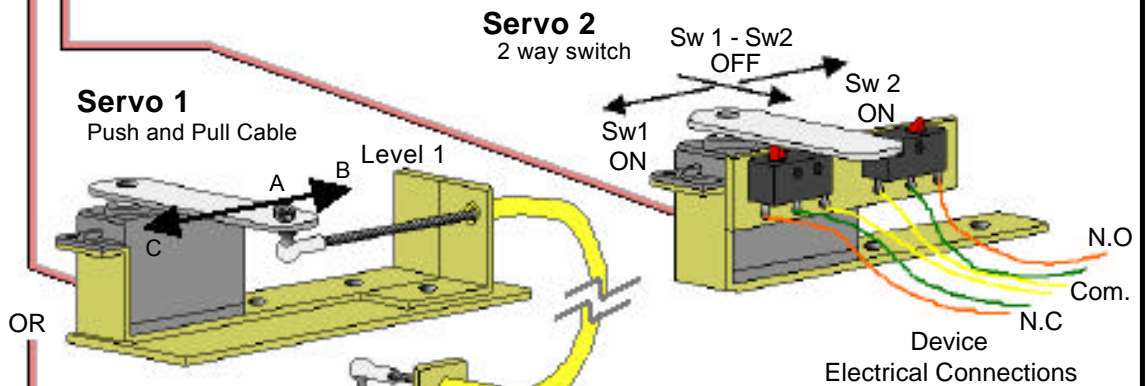
www.BPEsolutions.com  
Phone (303) 651-3794

# Wizard - I Board Application Example

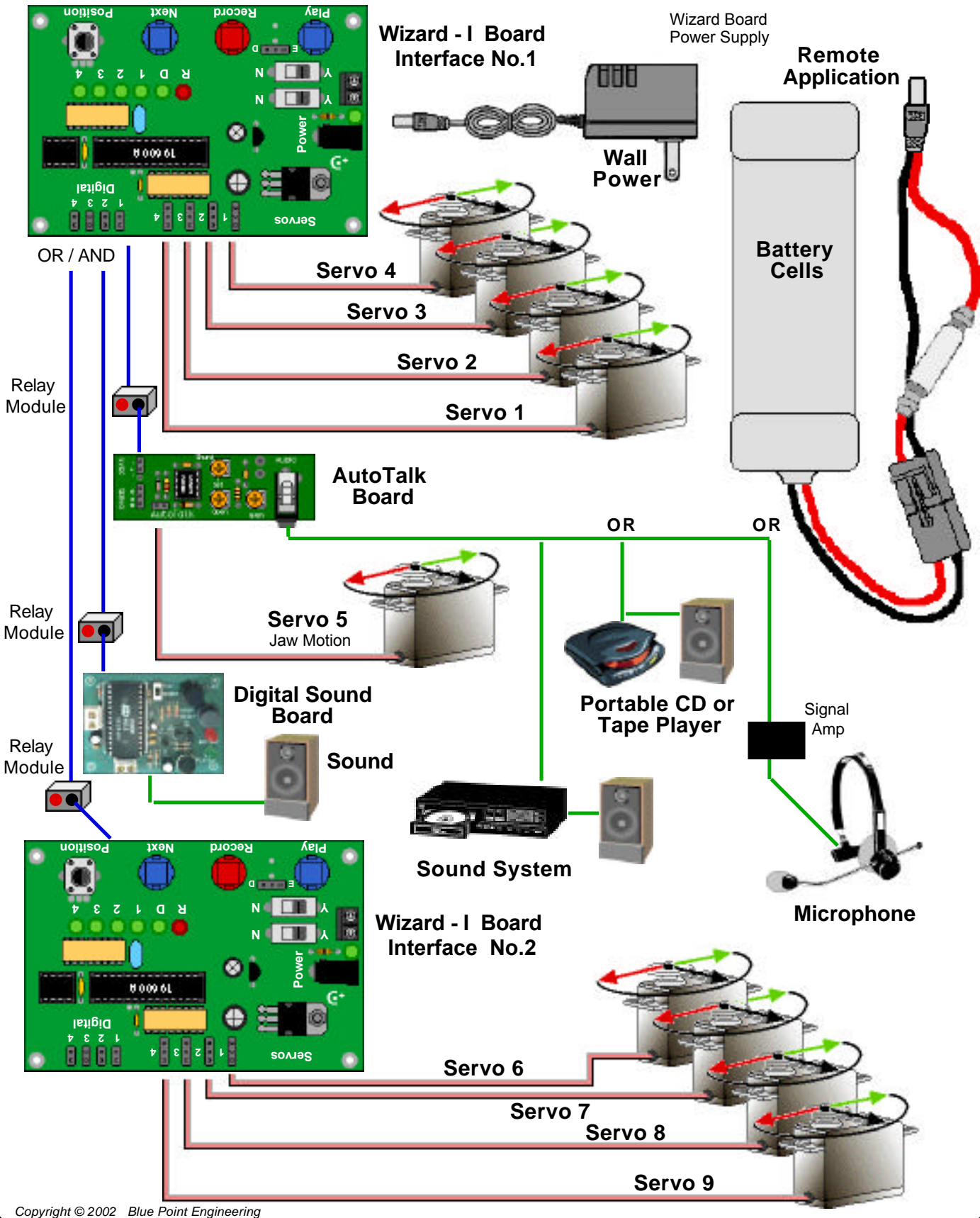
## Wizard - I Board Interface



**Sound Card**



# Wizard - I Board Application Example



Copyright © 2002 Blue Point Engineering

[For more information on this product or to place an order](#)

**Blue Point Engineering**

www.BPEsolutions.com  
Phone (303) 651-3794