

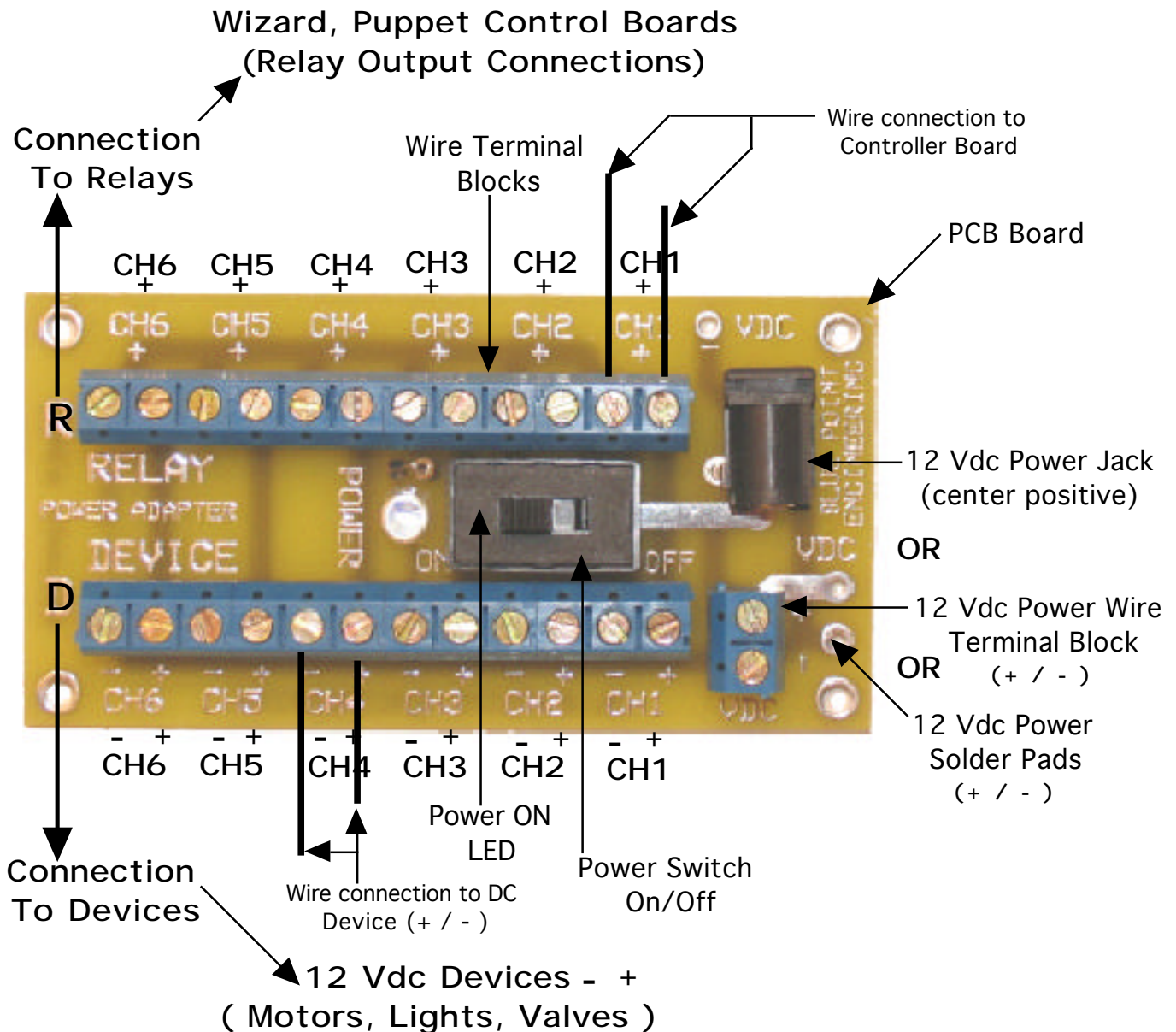
## 12 VDC Power Adapter Quick Connection Board

This module is designed to assist in the quick power connection of DC Pneumatic Valves, LED Light Strips, DC Motors and Solenoids or wherever there is a need for 12 Vdc power control through remote controller boards (Relays) to external DC devices.

Module has a quick connect power jack, wire terminal block or wire solder pads for a custom power input connection with ON and OFF power switch and LED power ON status. A set of screw down terminal wire blocks, make hook-up to devices and connection to controller boards (Relays) easy to do.

Board is labeled with Relay and Device channels for quick identification and set-up.

Module is rated for 5 Amp loads at 12 Vdc.



# Wizard - II Controller Board

