

Sound Board Pro Application Examples

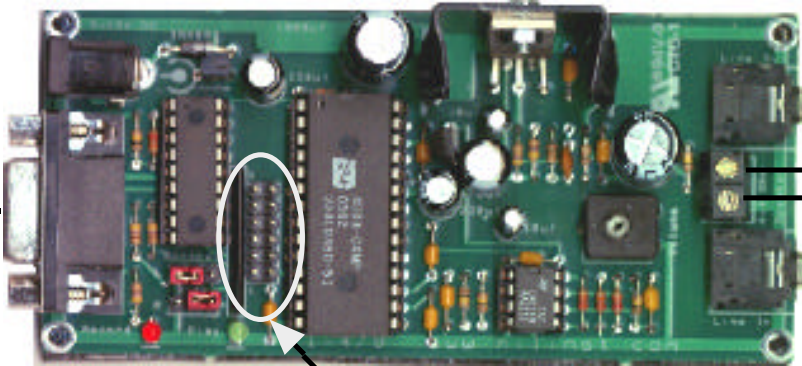
**Sound Output
Computer Control
Ch-1 - Ch-9**



- ASCII s (Stop Playback)
- ASCII 1 - 9 command
- Disabled on LA Version Board

OR

Sound Board Pro Module



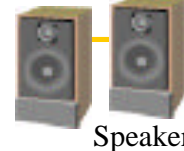
OR

**Speaker
Amp**



OR

**Speakers and
Amplifier**



Speakers

**Audio
Amp**

OR

**Audio
Cable**

**Sound
OUTPUT**



Speaker

**Recorded
Sound
Playback**

**Audio
Cable**

**Sound
INPUT**

Sound Source



OR

OR

**Computer
Sound Port**



OR

**CD
Player**

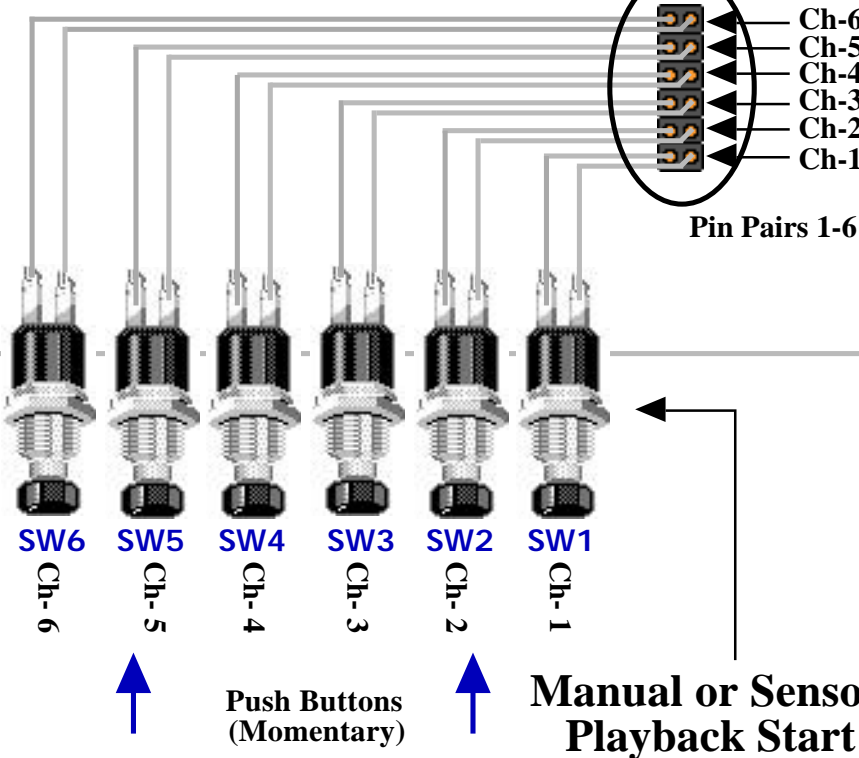


OR

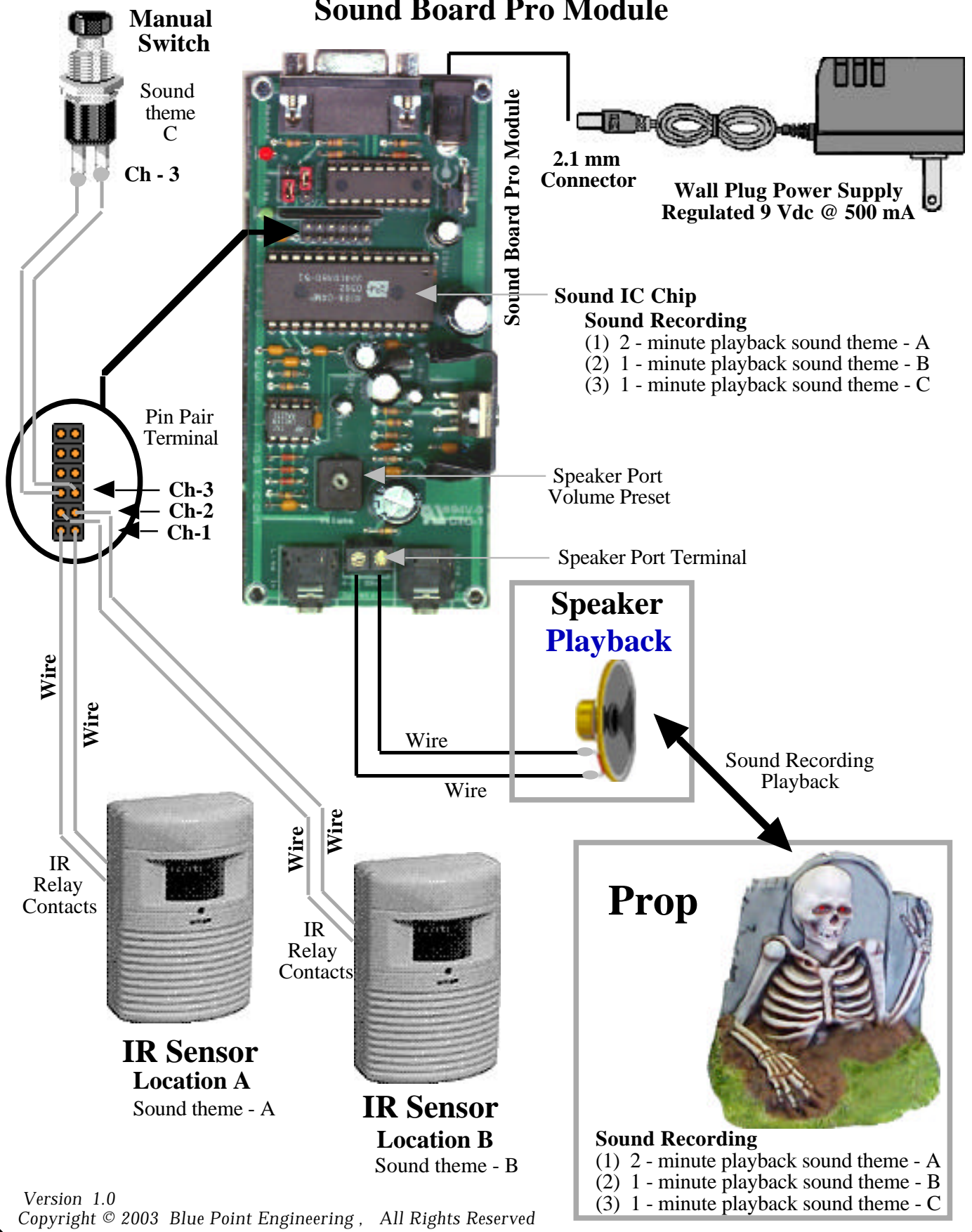
**Signal
Amp**



Microphone



Sound Board Pro Module



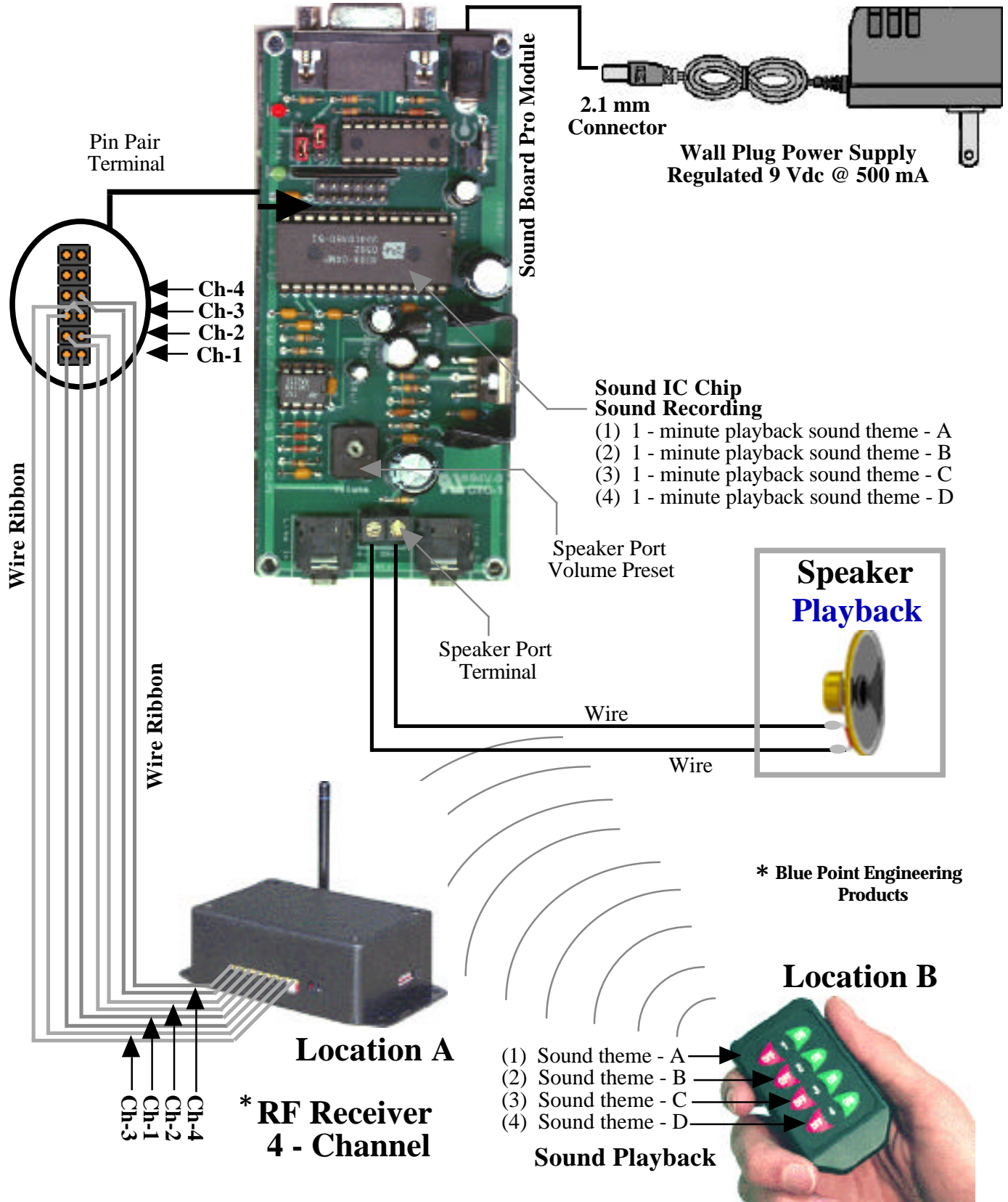
Version 1.0
Copyright © 2003 Blue Point Engineering, All Rights Reserved

Custom Equipment, Unique Electronic Products

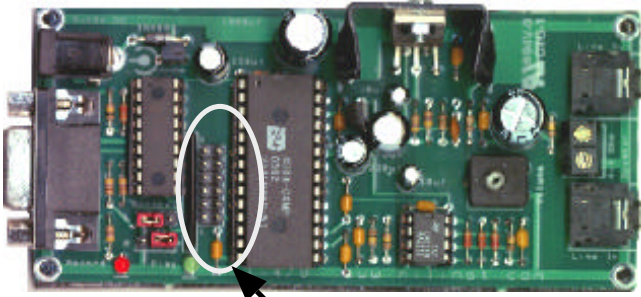
Blue Point Engineering

www.BPEsolutions.com
Phone (303) 651-3794

* Sound Board Pro Module - Remote Control Set-up

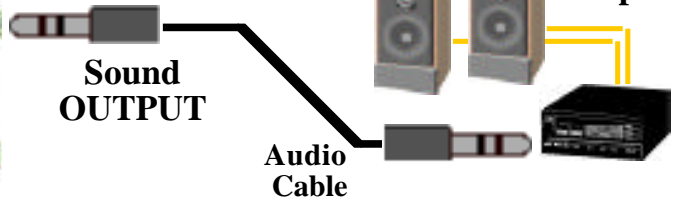


Sound Board Pro Module



Automated Playback

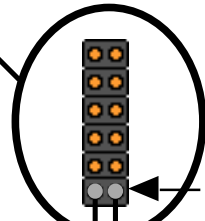
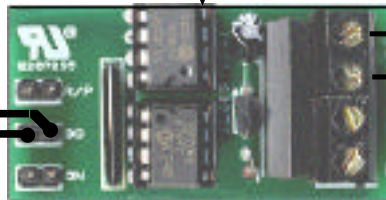
Speakers and Amplifier



- REMOTE SENSOR**
- Floor Mat Switch.
 - PIR Sensor.
 - Manual Operated Switch.
 - Relay Contact Switch, etc.



*** Programmable Single Relay Module**



- Ch-6
Ch-5
Ch-4
Ch-3
Ch-2
Ch-1
- Pin Pairs 1-6**

Single Channel Automated Playback

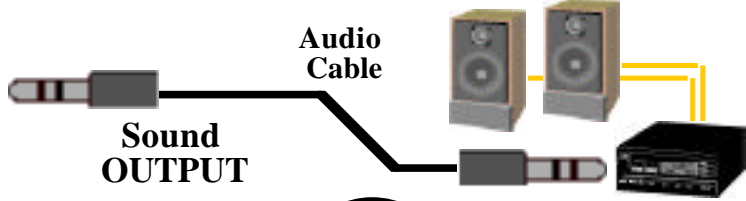


* Blue Point Engineering Products

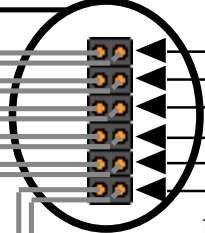
*** Sound Board Pro Module**



- REMOTE SENSOR**
- Floor Mat Switch.
 - PIR Sensor.
 - Manual Operated Switch.
 - Relay Contact Switch, etc.

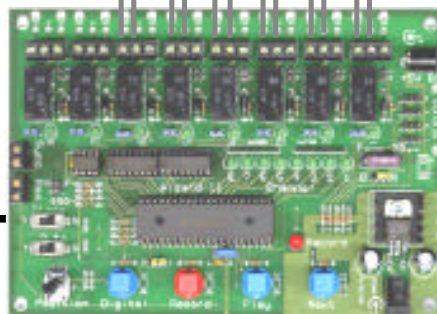


Speakers and Amplifier



- Ch-6
Ch-5
Ch-4
Ch-3
Ch-2
Ch-1
- Pin Pairs 1-6**

6 - Channel Automated Playback



*** Wizard - II Programmable Controller Board**

* Blue Point Engineering Products

Version 1.0

Copyright © 2003 Blue Point Engineering
All Rights Reserved

Custom Equipment, Unique Electronic Products

Blue Point Engineering

www.BPEsolutions.com
Phone (303) 651-3794