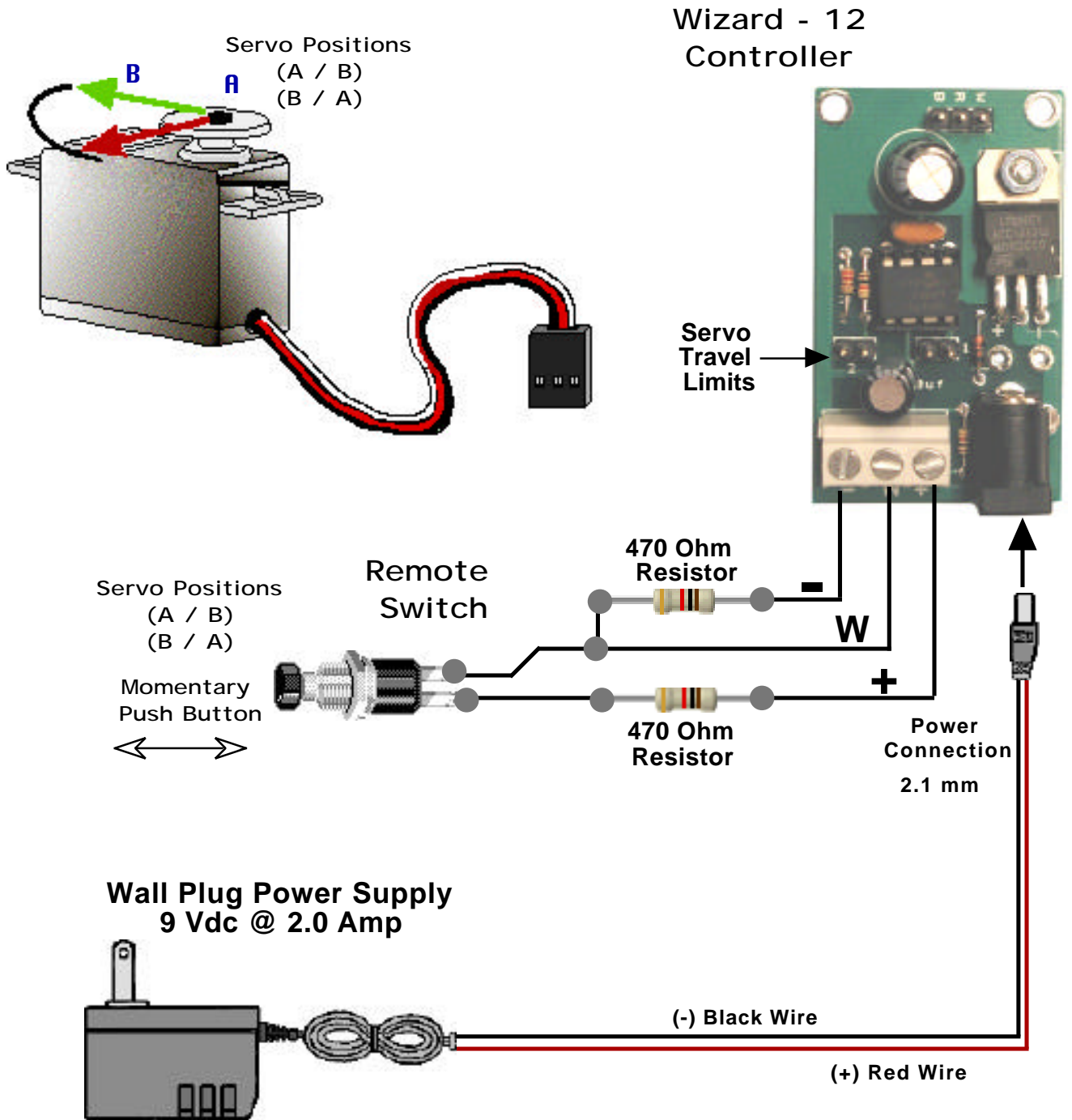


## Wizard - 12 Single Servo Controller

Controller  
Ver 1.5

### Set - Up / Single Switch Control



## Set - Up / Toggle Switch Control

With the remote momentary toggle switch in the center OFF position the voltage to the Wizard -12 wiper input will be 2.5Vdc and will send the servo to its **center position**. The combined resistance of the 470 and 4.7K resistors will produce a wiper input voltage of 0.5 Vdc or 4.5 Vdc and will send the servo almost to the **ends of its travel +/- 45 degrees**. The Wizard - 12 has programmable limits which could be set using a potentiometer before connecting the resistors, if less servo travel movement is needed.

