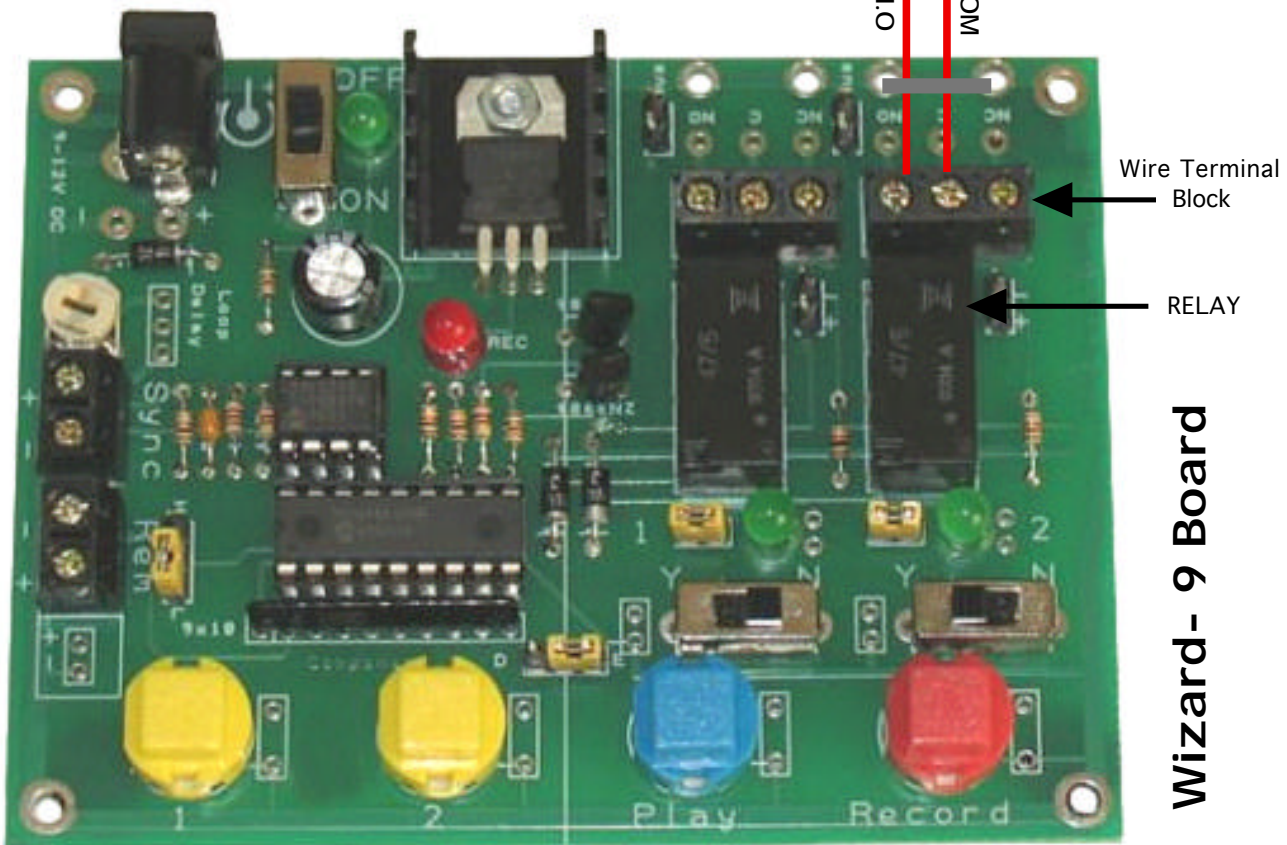
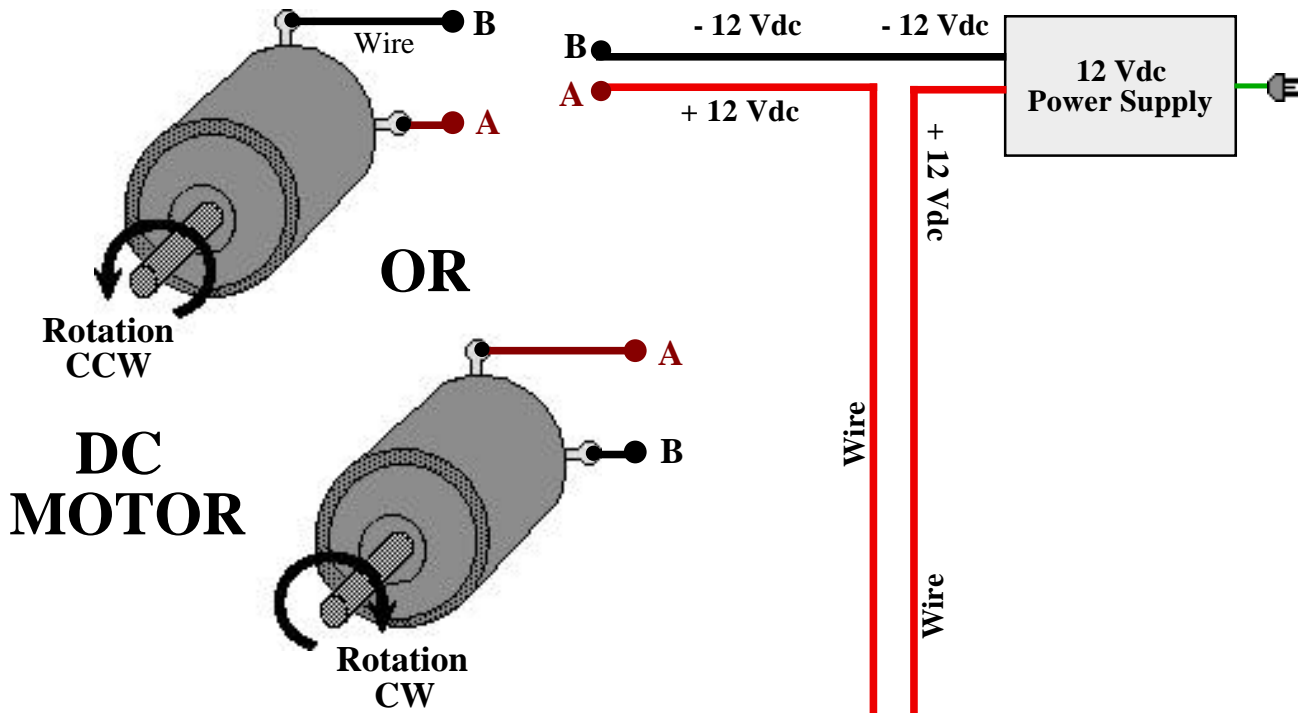


Wizard - 9 Controller Board
Relays to Motor Control Setup

Single Rotation



Wizard - 9 Controller Board
Relays to Motor Rotation Control Setup

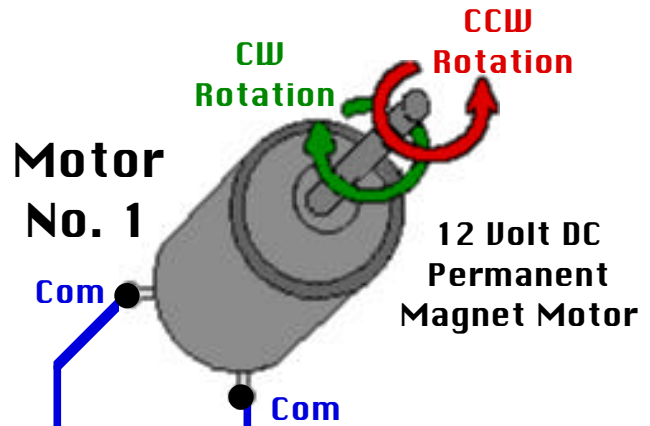
Duo Rotation

Motor Logic

Relay 1 ON = Motor CCW Rotation
Relay 2 OFF

Relay 1 OFF = Motor CW Rotation
Relay 2 ON

Relay 1 and 2 ON = Motor All Stop
Relay 1 and 2 OFF = Motor All Stop

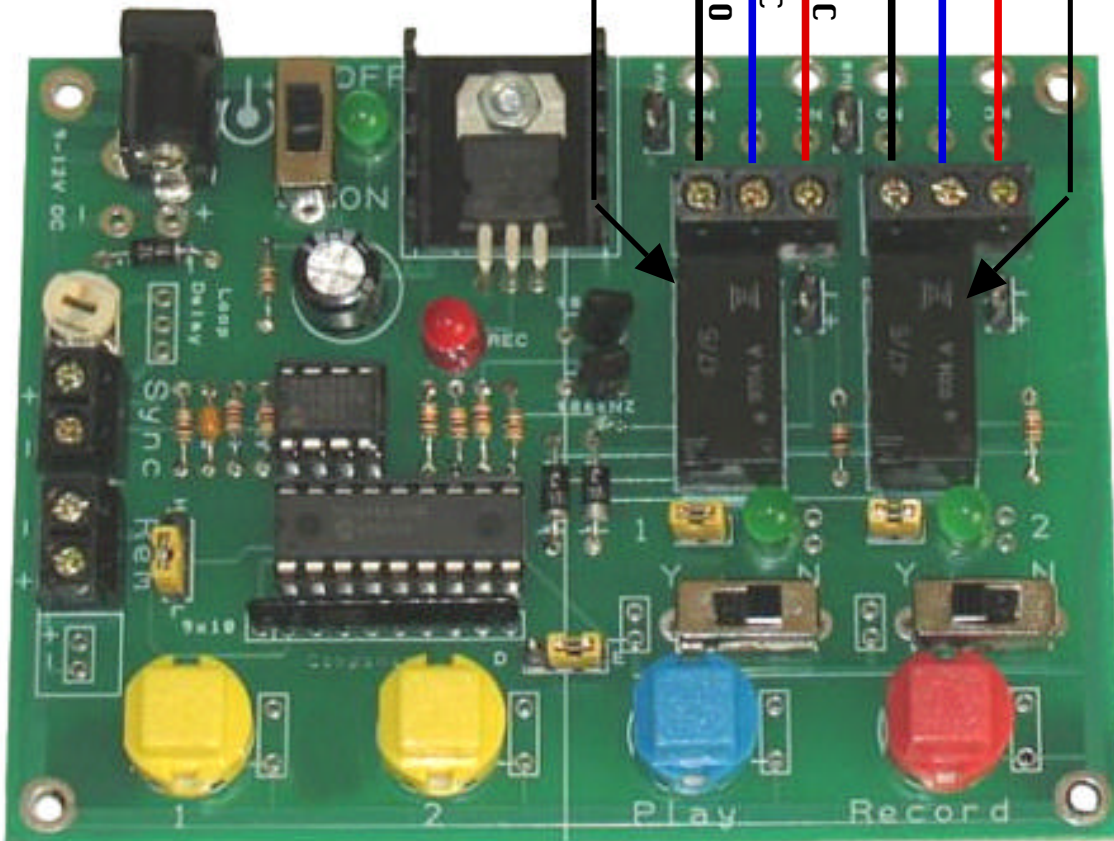


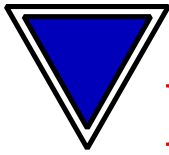
BLACK Wire -Gnd
RED Wire +V
MOTOR POWER (12Vdc)

Relay 1
Relay 2

NO C NC
NO C NC

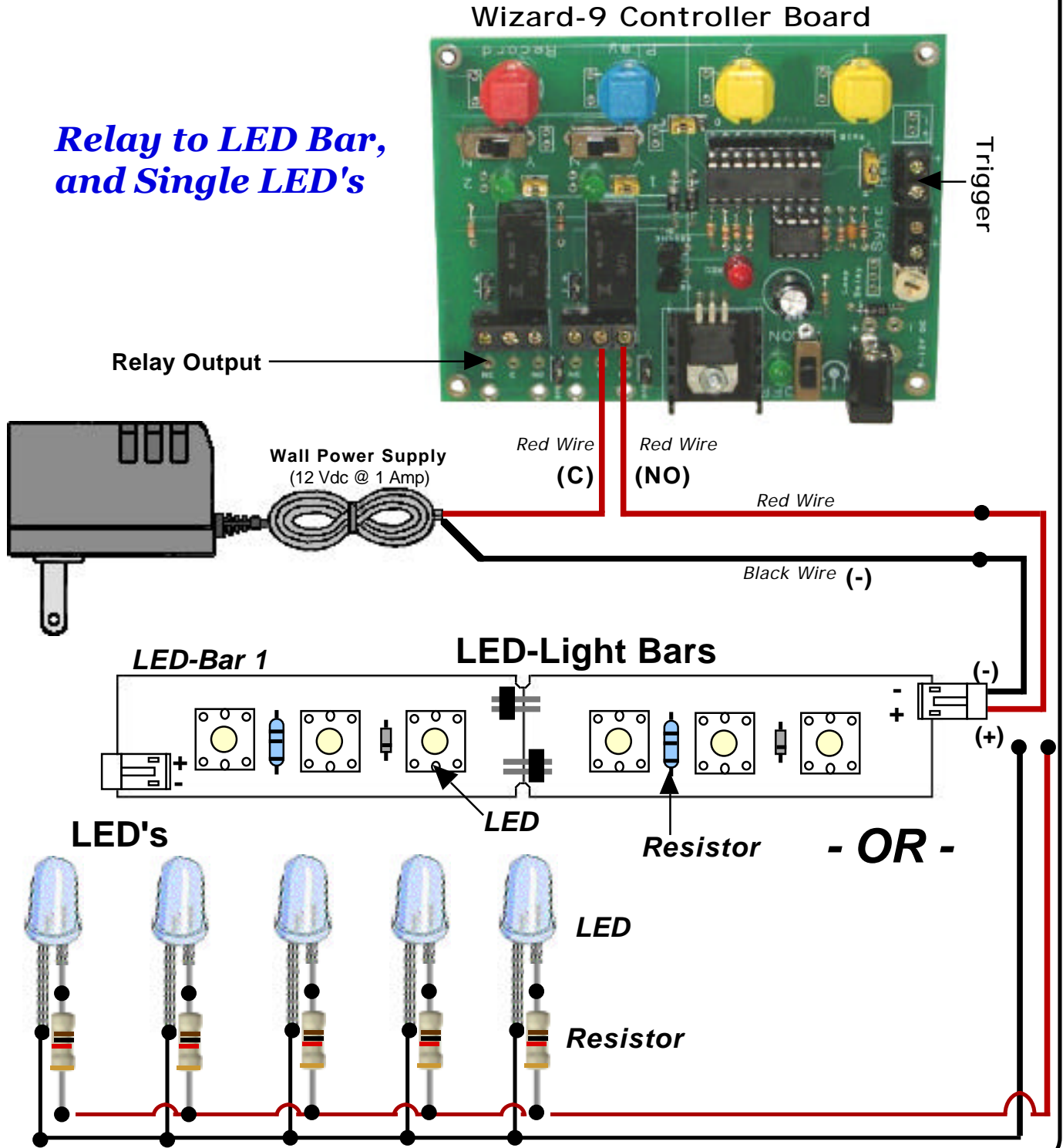
Wizard- 9 Board



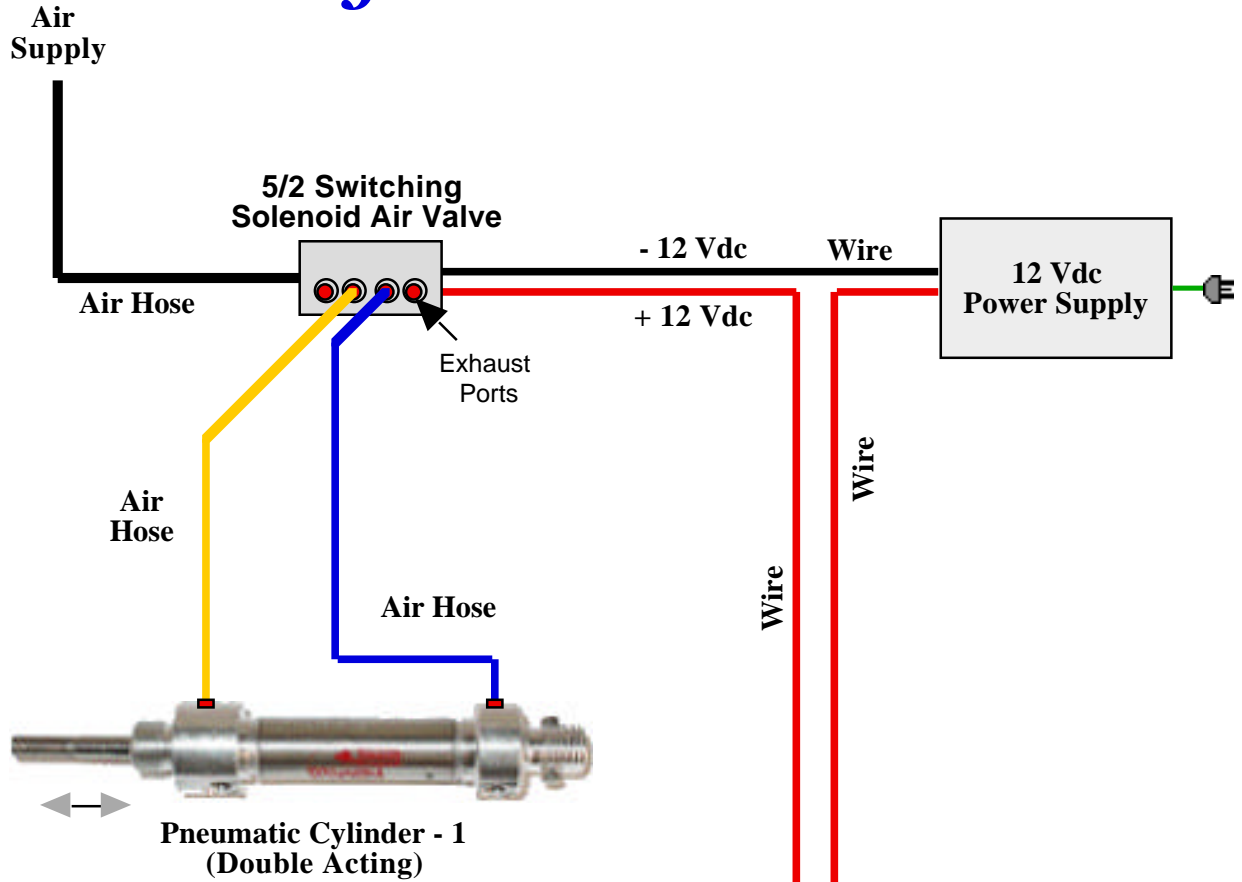


Controlling Devices by Wizard-9 Relays

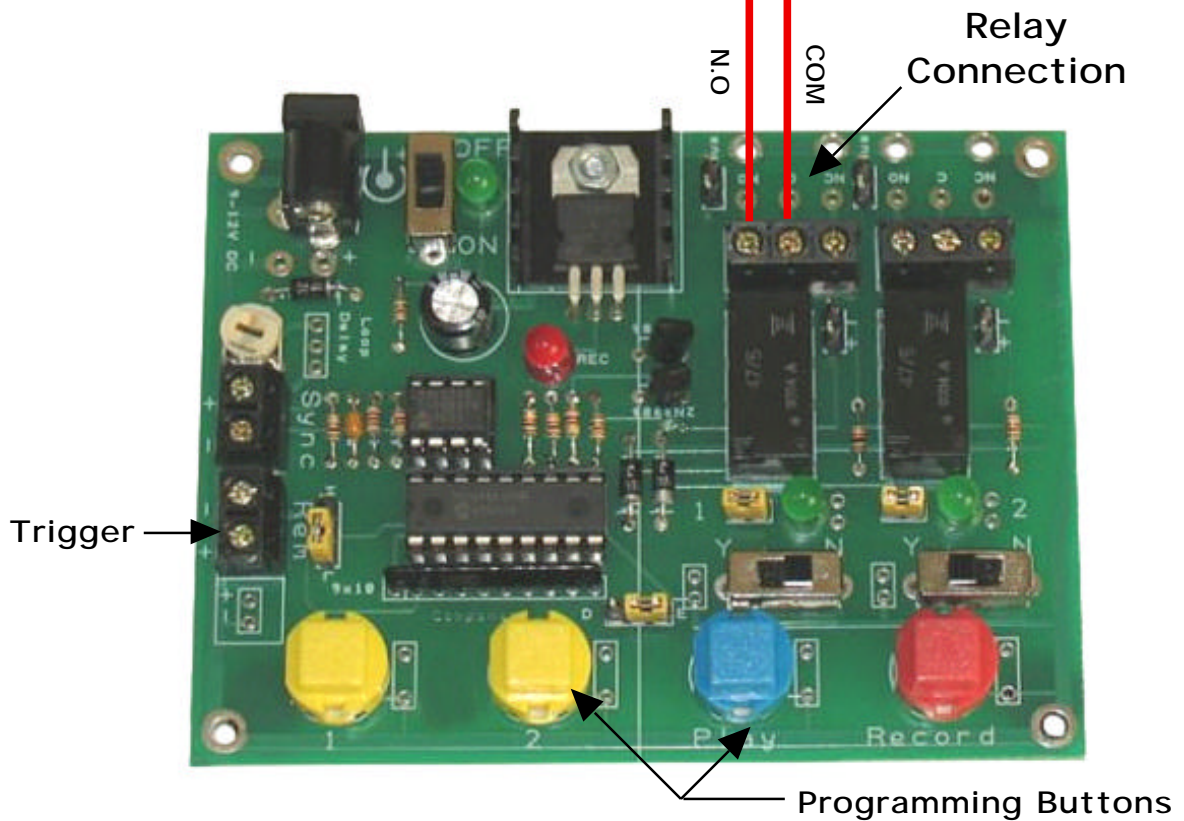
Relay to LED Bar, and Single LED's



Relay to Pneumatic Valve



Wizard-9 Controller Board

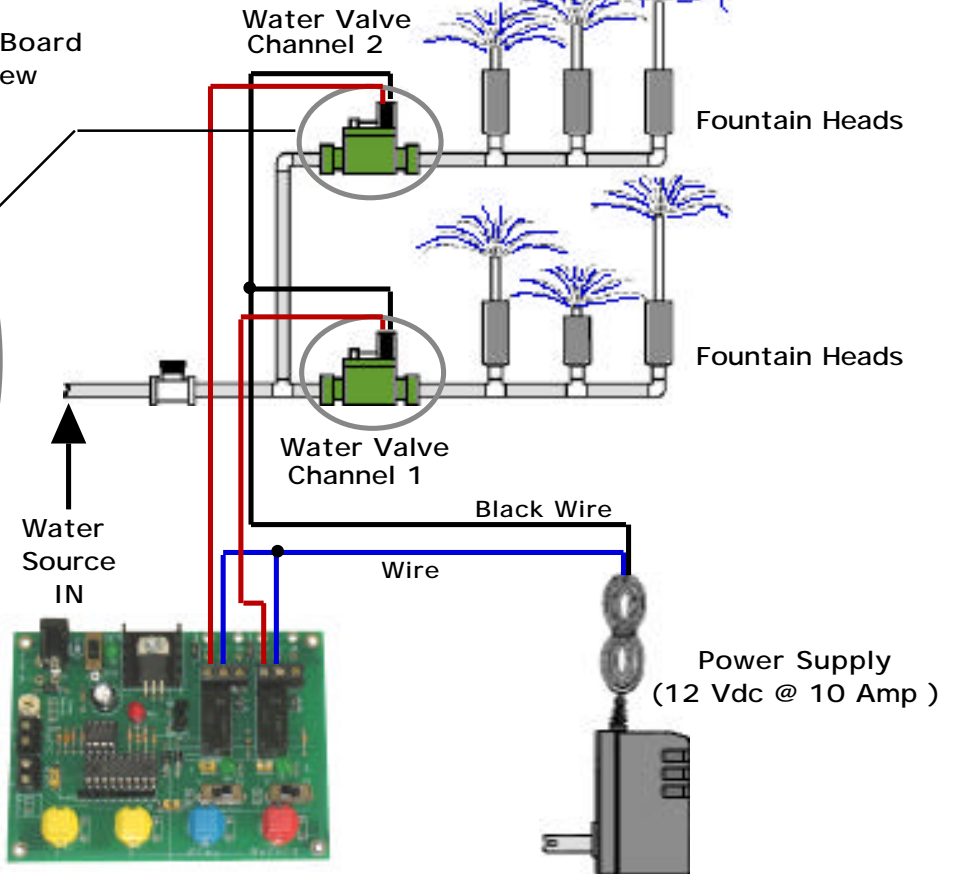


Relay Controlled Water Valve - Effect

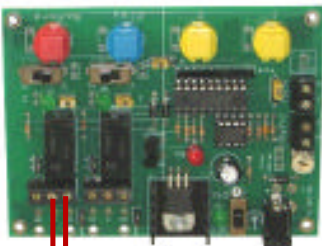
Wizard - 9 Controller Board
Water Valve Overview



Wizard - 9
Controller Board

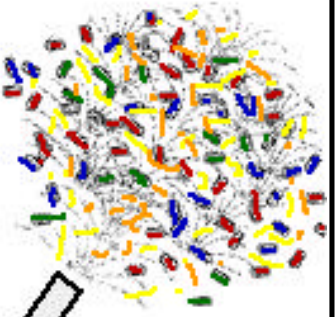
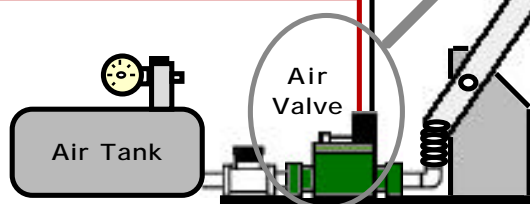
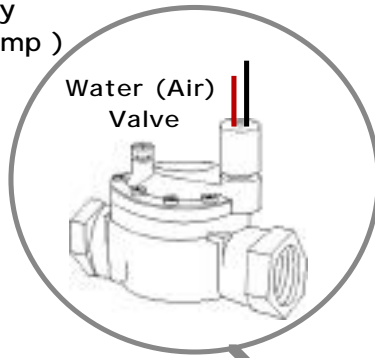


Wizard - 9 Controller Board
Air Valve Overview



Wizard - 9
Controller Board

Power Supply
(12 Vdc @ 10 Amp)



Confetti
Cannon

Copyright © 2008 Blue Point Engineering, All Rights Reserved

Custom Equipment, Unique Electronic Products

Blue Point Engineering LLC.

www.BPEsolutions.com
Phone (303) 651-3794