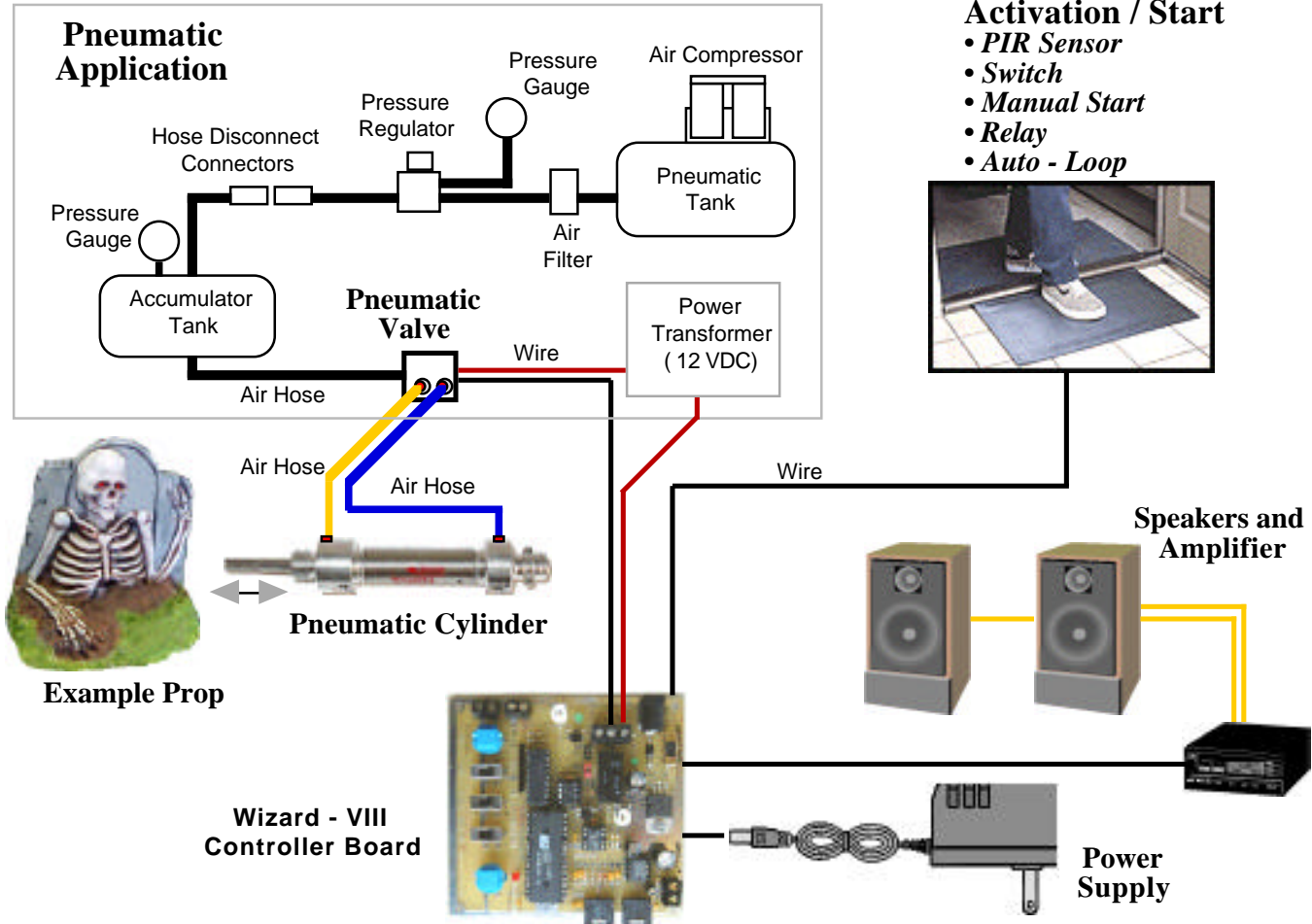


Wizard-VIII Controller Applications

Controller

Pneumatics, AC devices, Sound, Motor, Water Control

Pneumatic Application



Activation / Start

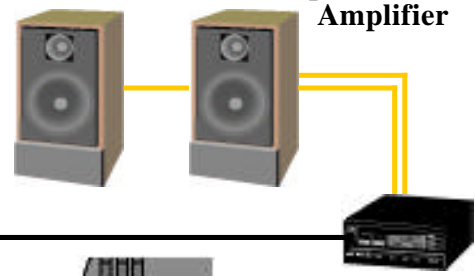
- PIR Sensor
- Switch
- Manual Start
- Relay
- Auto - Loop



Example Prop

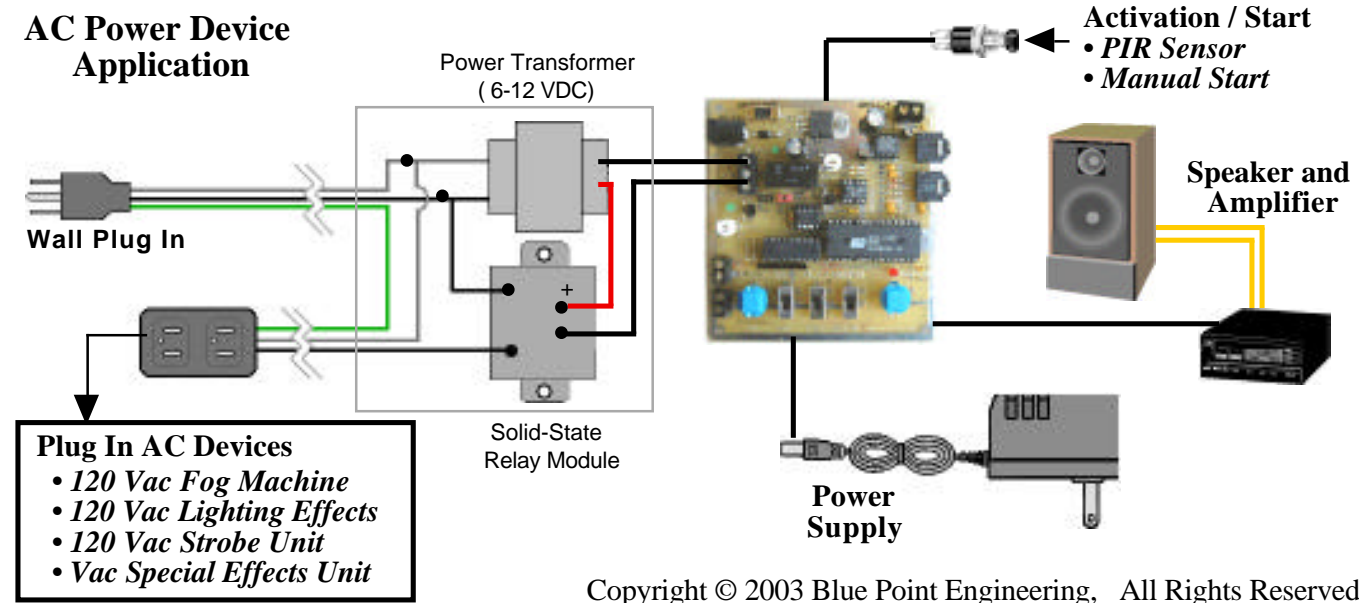
Wizard - VIII Controller Board

Speakers and Amplifier



Power Supply

AC Power Device Application



Activation / Start

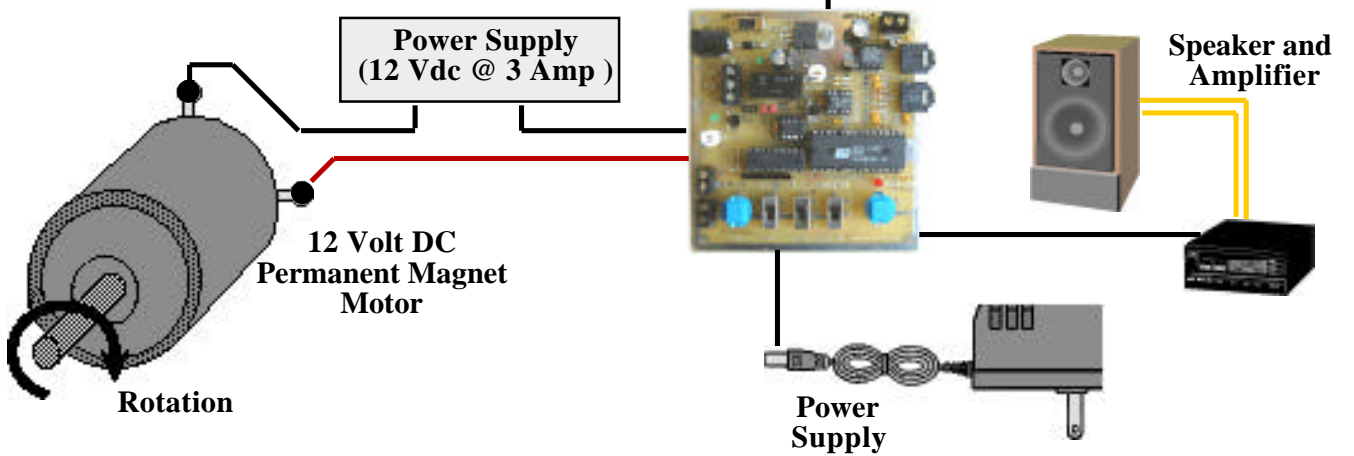
- PIR Sensor
- Manual Start

- Plug In AC Devices**
- 120 Vac Fog Machine
 - 120 Vac Lighting Effects
 - 120 Vac Strobe Unit
 - Vac Special Effects Unit

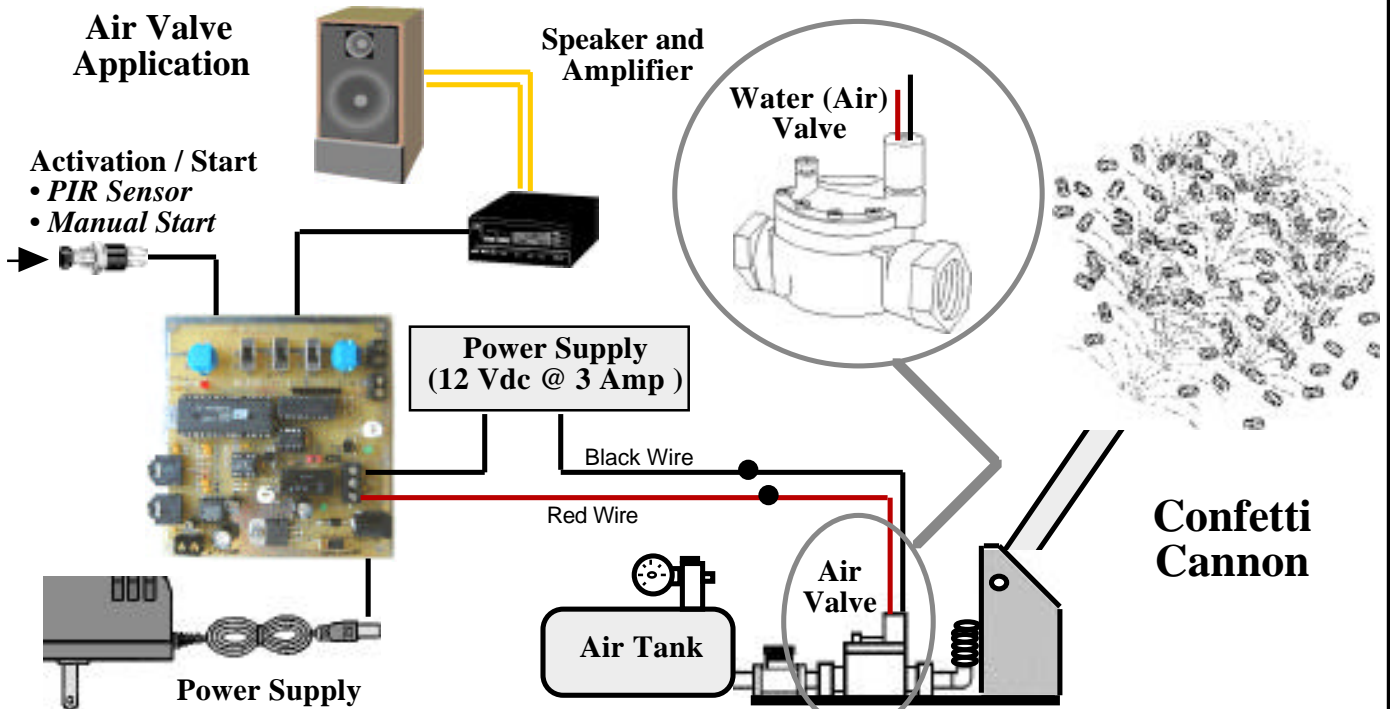
Wizard - VIII Controller Board

Motor, Air, Water, Sound Control

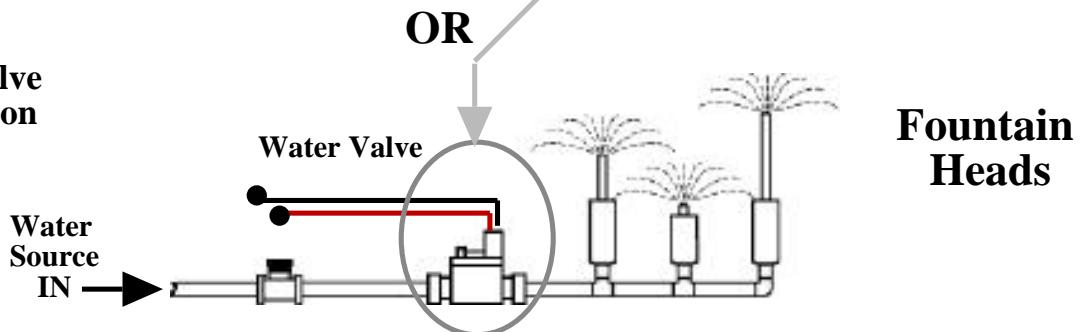
DC Motor Device Application



Air Valve Application



Water Valve Application



Wizard - VIII Controller
Optional Output
Control Examples

*Special Effects
Prop Control*

Relay Output
Examples

VDC Direct Output
DC Lighting Effects
LED's
Lightning Wire

DC Devices

2nd Relay (DC)
Switched On/Off Devices
High Power Controller

VAC Control
AC Board Driver
AC Colored Light Bulbs
AC Strobe Unit
AC Fogger Unit
AC Sound System
AC Devices

Servo Motor
PWM Board Driver
Rotary CW / CCW
Linear Servo
Positional Servo
Switching Servo

DC Motor
Rotary CW / CCW

AC Motor
AC Motor Driver
Rotary CW / CCW

Pneumatic Valve
Single Action Cylinders
Multi- Action Cylinders

Solenoid / Water Valve
Fountain Effects
Confetti Cannons
Air / Water Effects

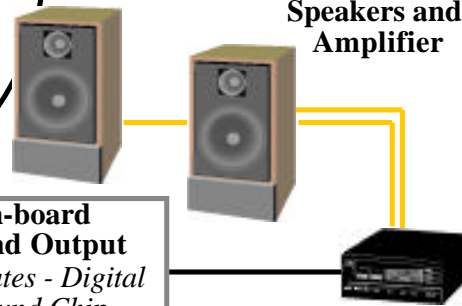
DC Solenoids
Rotary
Linear

Sound Units
Driver Boards
Digital

Piezo Sounders



Example Prop



**Speakers and
Amplifier**

**On-board
Sound Output**
4 Minutes - Digital
Sound Chip

**Sound
Output**

Programming

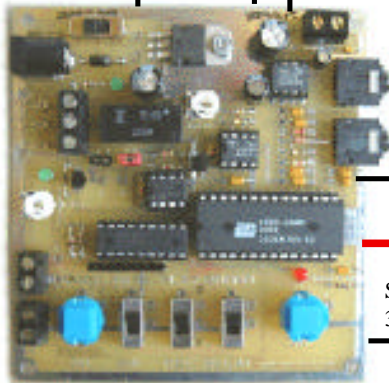
No Computer Needed
On-board Programming
4 Minutes Sound Recording
5 Minutes Relay

EEPROM Memory
ISD Sound Chip

**On-board Sound
Input Options**

- Computer Direct
- CD / Stereo
- Microphone

Sound Input



Relay Output

Small Board Size:
3-1/2" L x 3-3/4" W x 1/2" H

Sensor Input



Inputs
Examples

- Manual Switch
- IR Switch
- Board to Board
- Ultrasonic Switch
- Time Based Switch
- Step-Hidden Switch
- Beam / PIR Switch
- Other

Power Options
Examples

- AC-Wall Adapter
- R/C Battery - Mobile
- Voltage Regulators
- Multiple Voltage Sources

9.0 Vdc Power @ 0.5 Amp
Power Supply Needed

Custom Equipment, Unique Electronic Products

Blue Point Engineering

www.BPEsolutions.com
Phone (303) 651-3794