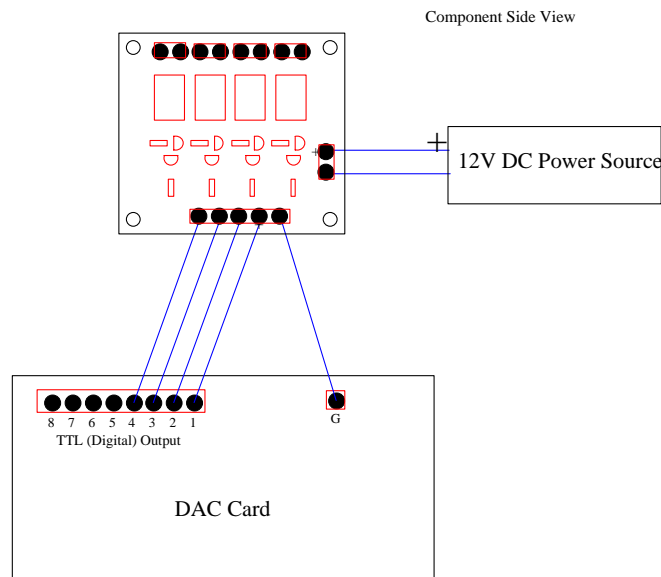


TTL-Driven Relay Board – 4 Circuits – 1 Amp

This circuit allows you to use 4 bits (TTL) of digital output (available on almost all low-end DAC boards) to control four other devices or components that draw up to 1 Amp (relay, lamp, etc.) each. The device can either be an AC or DC device. A very nice small board with lots of uses.

Miscellaneous Information:

Example Hookup:



Specifications:

- Input Power: 12 VDC
- Number of Circuits: 4
- Max Switched Current: 1 Amp
- Board Dimensions: 2.25 x 2 inches

Disclaimer:

These boards are designed for educational use only. In no circumstances should these circuit boards be used in critical situations where failure could mean injury or property damage.