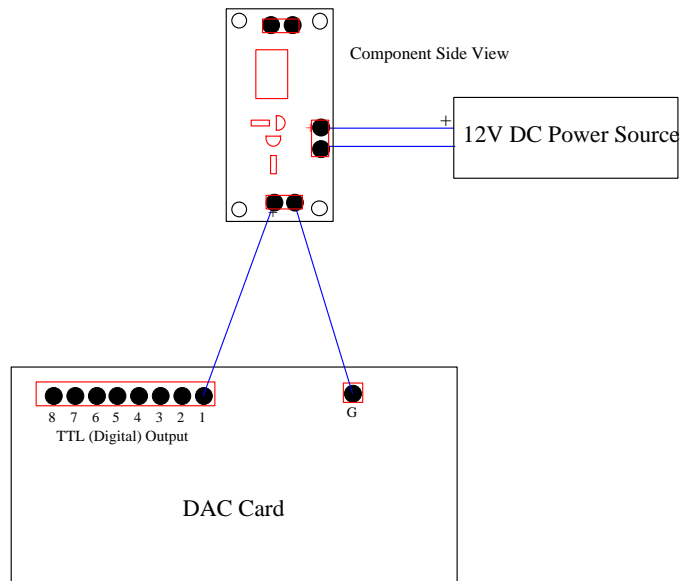


## TTL-Driven Relay Board – 1 Circuit – 1 Amp

This circuit allows you to use 1 bit (TTL) of digital output (available on almost all low-end DAC boards) to control another device or component that draws up to 1 Amp (relay, lamp, etc.). The device can either be an AC or DC device. A very nice small board with lots of uses.

### Miscellaneous Information:

### Example Hookup:



### Specifications:

- Input Power: 12 VDC
- Max Switched Current: 1 Amp
- Board Dimensions: 1 x 2 inches

### Disclaimer:

These boards are designed for educational use only. In no circumstances should these circuit boards be used in critical situations where failure could mean injury or property damage.