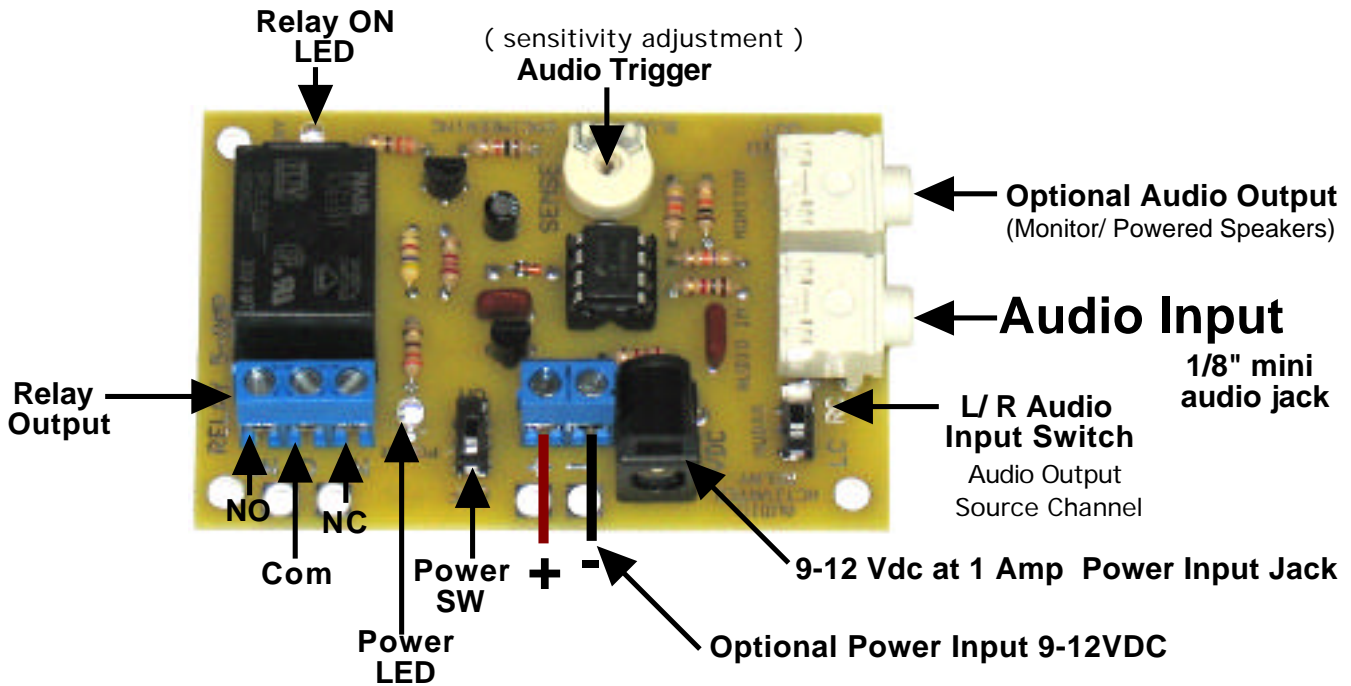


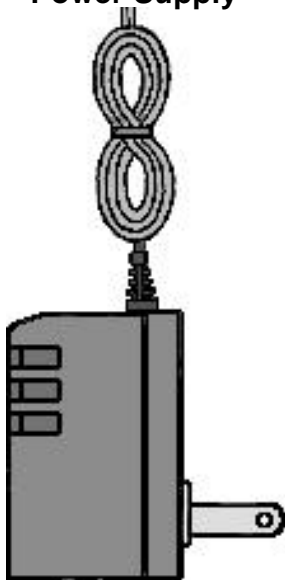
Sound Activated Relay

Ver 2.0 1202

Sound Activated Relay Board allows you to control a 10A relay in response to sound from a non-amplified sound source (computer, CD player, or my Digital Sound Recorder board). It has a LED that's a visual indication 9-12 VDC. at 1 Amp



9-12VDC @ 1Amp Power Supply



OPTIONAL EQUIPMENT

Audio Amp and Speaker



Additional Audio Cables

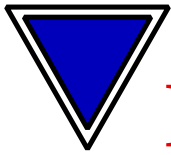
"Y Cable" Adapters, Extended Length Audio Cables



Custom Equipment, Unique Electronic Products

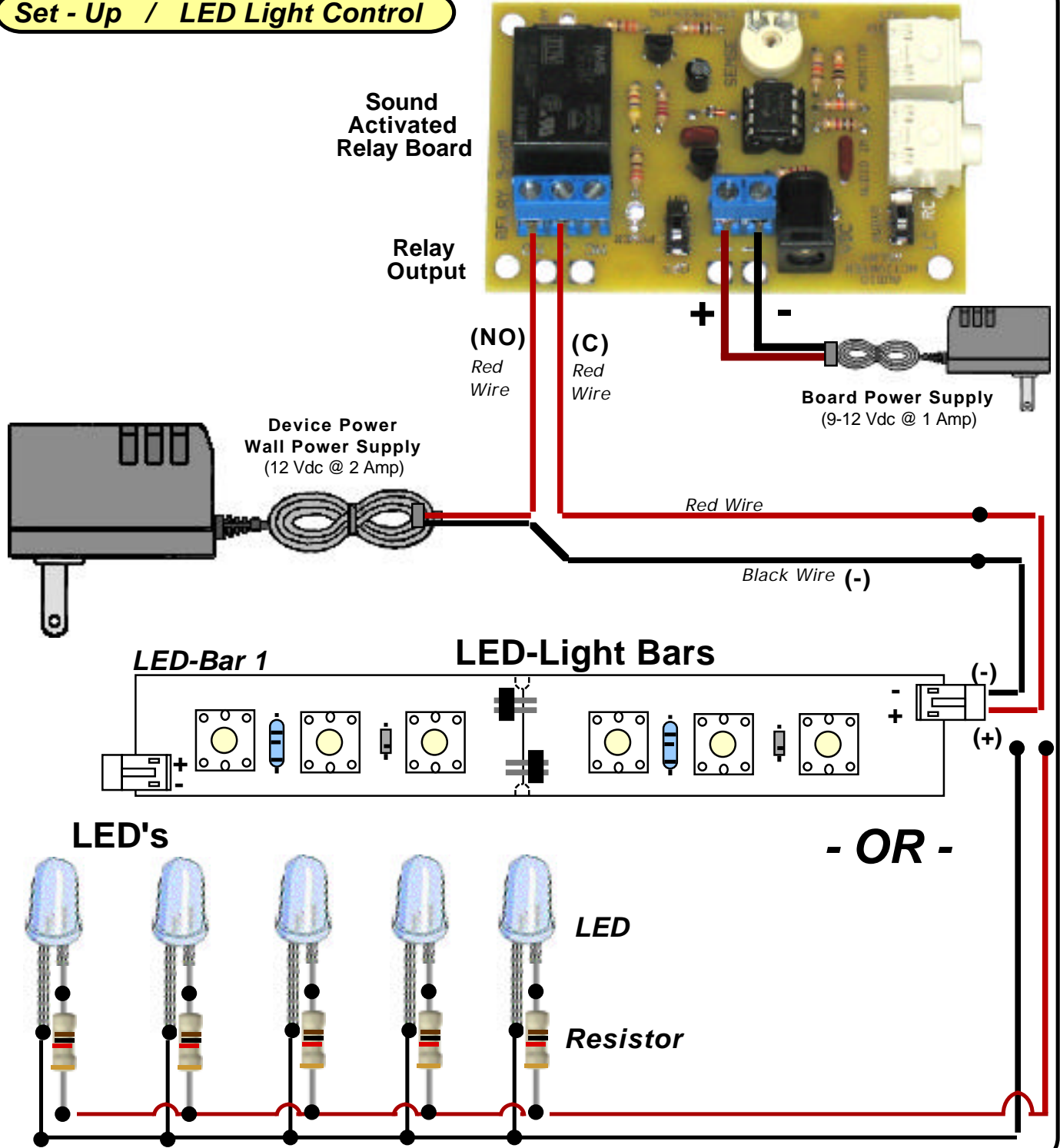
Blue Point Engineering Inc.

Phone (303) 651-3794
www.BPEsolutions.com



Controller to LED Output

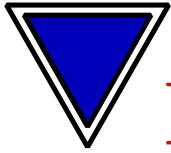
Set - Up / LED Light Control



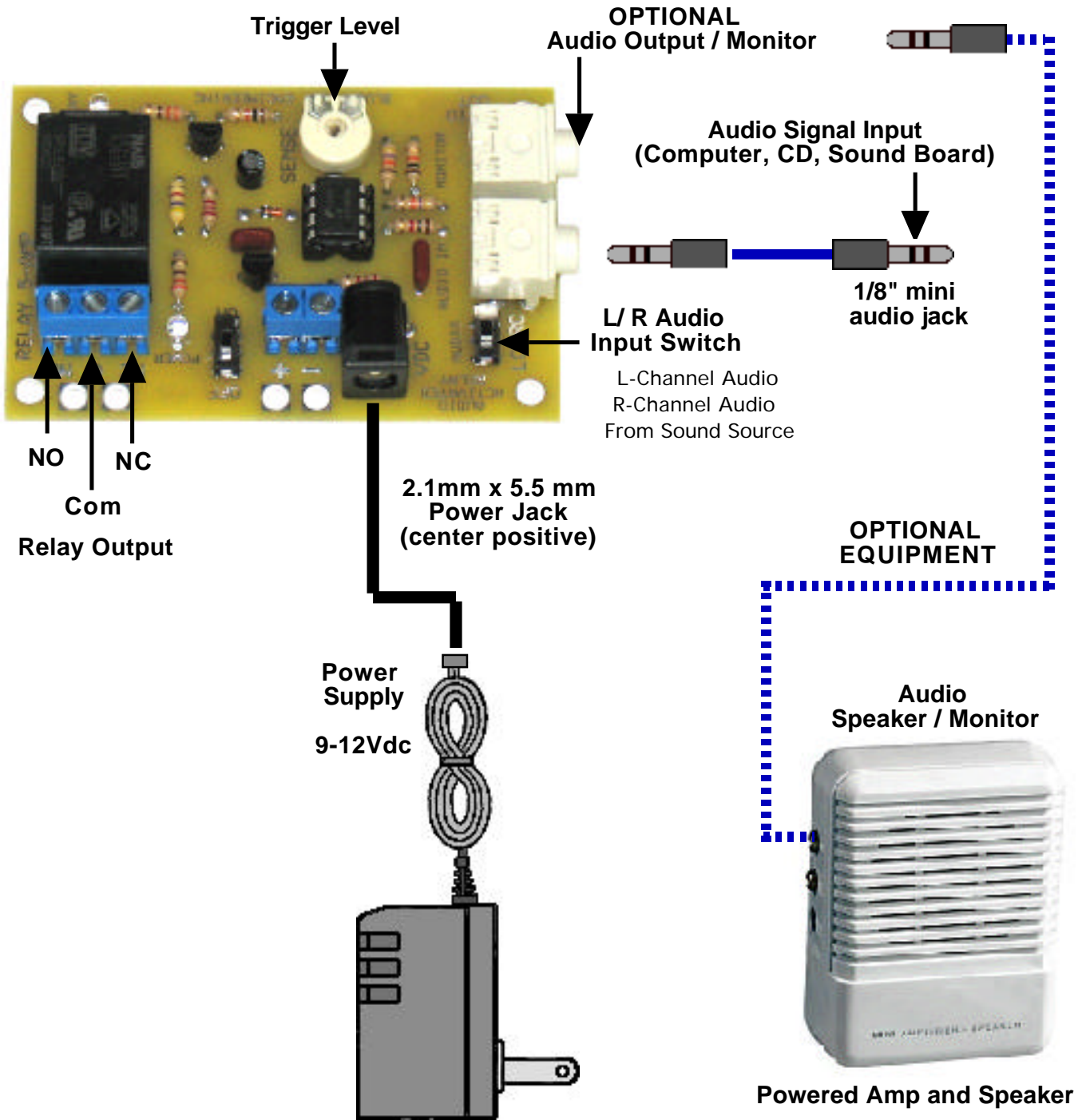
Custom Equipment, Unique Electronic Products

Blue Point Engineering Inc.

Phone (303) 651-3794
www.BPEsolutions.com



Sound Activated Relay



Custom Equipment, Unique Electronic Products

Blue Point Engineering Inc.

Phone (303) 651-3794
www.BPEsolutions.com