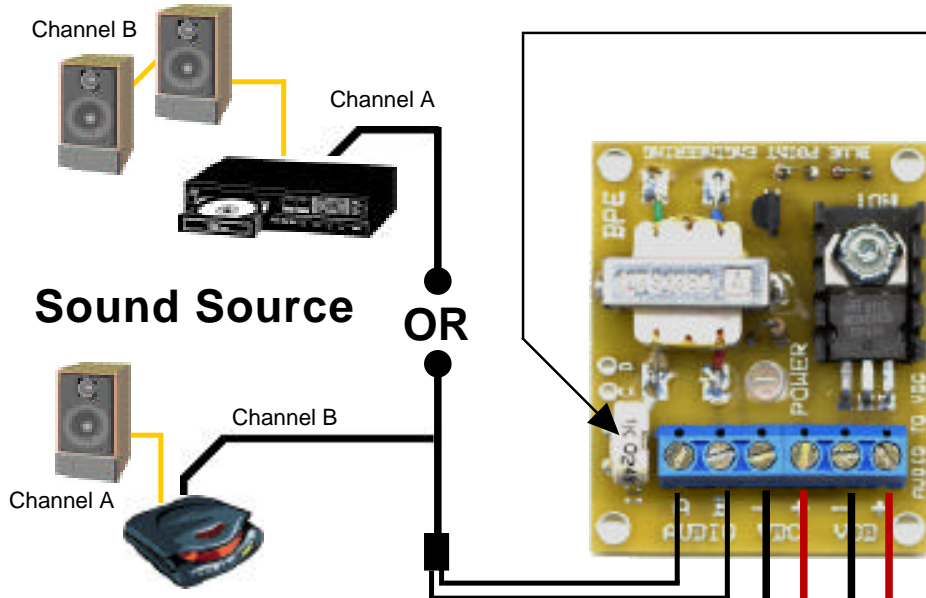


Audio to VDC Controller

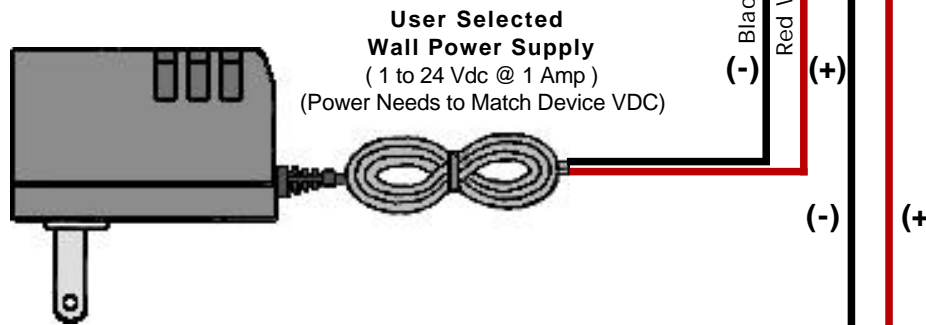
Set - Up

Board Size: 2" L x 1-5/8" W x 3/4" H



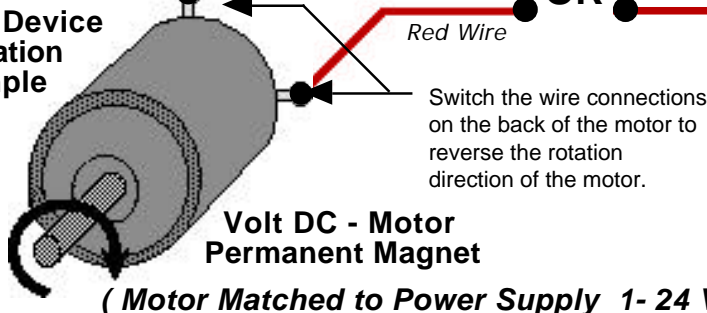
Intensity Controller

Adjust the Intensity controller by rotating the potentiometer to the level where the output device responds to the audio signal as needed.



DC Motor Device Application Example

Rotation



Switch the wire connections on the back of the motor to reverse the rotation direction of the motor.

1 to 24 Volt DC Devices

- LED Bar
- Vdc Lights
- Small Solenoid
- Other Vdc Devices

Custom Equipment, Unique Electronic Products