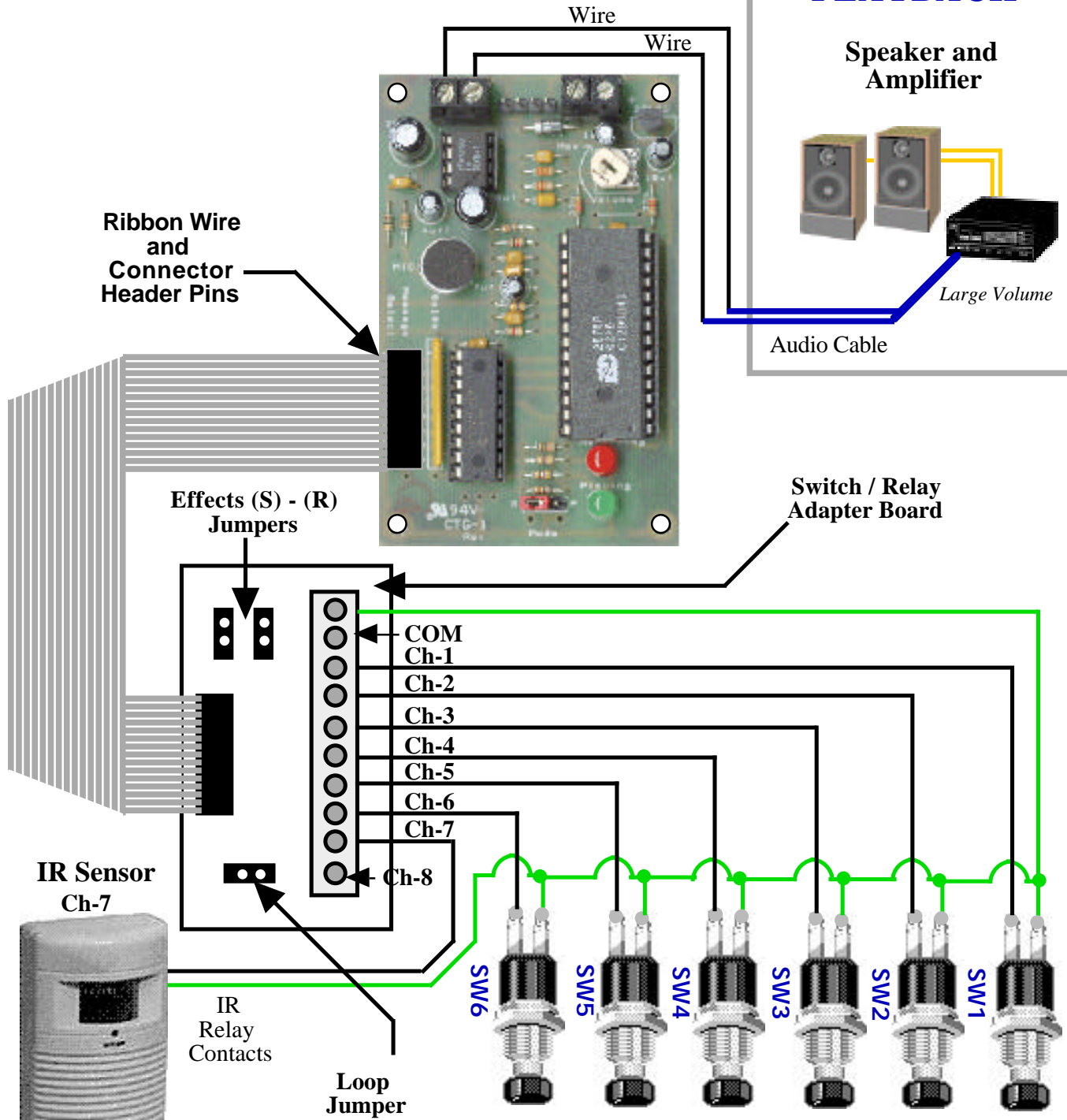
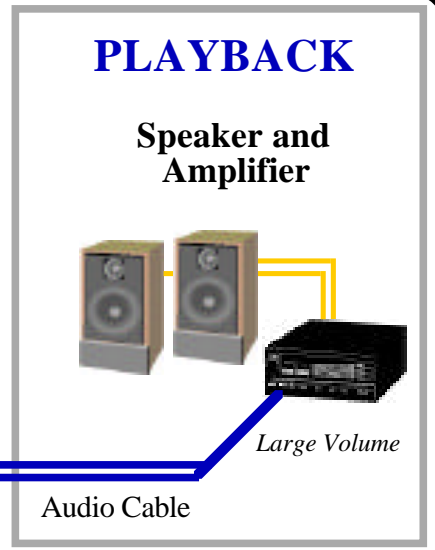


## Sound Board - 60 Recorder

Controller

### Optional Switch / Sensor Adapter Board



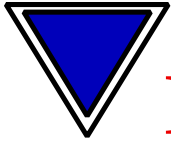
Copyright © 2003 Blue Point Engineering, All Rights Reserved

Version 2.0

Custom Equipment, Unique Electronic Products

### Blue Point Engineering

Phone (303) 651-3794  
www.BPEsolutions.com



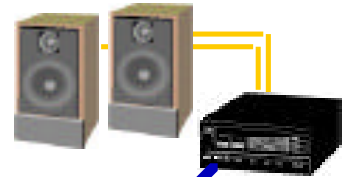
## Sound Board - 60 Recorder

Controller

### Optional Switch / Effects Adapter Board

### PLAYBACK

#### Speaker and Amplifier



Large Volume

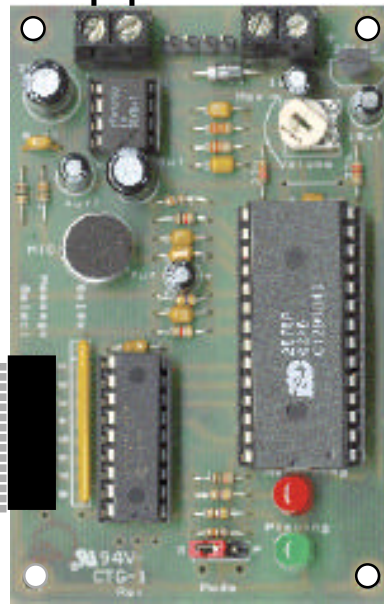
Audio Cable

Ribbon Wire and Connectors

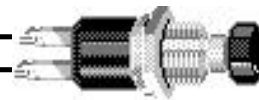
Sound Board 60

Wire

Wire



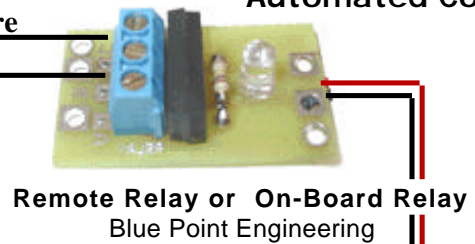
Switch Control



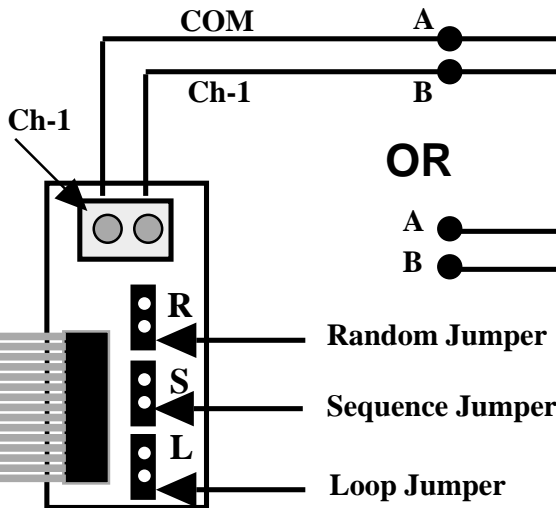
OR

Automated Control

OR

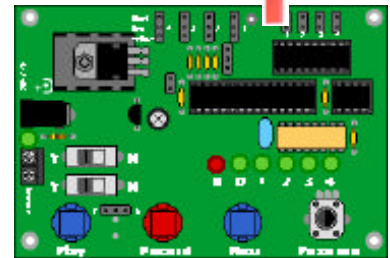


Remote Relay or On-Board Relay  
Blue Point Engineering



Switch / Relay / Effects Adapter Board

Wizard Boards  
or  
Puppet Controller Boards



Version 2.0