

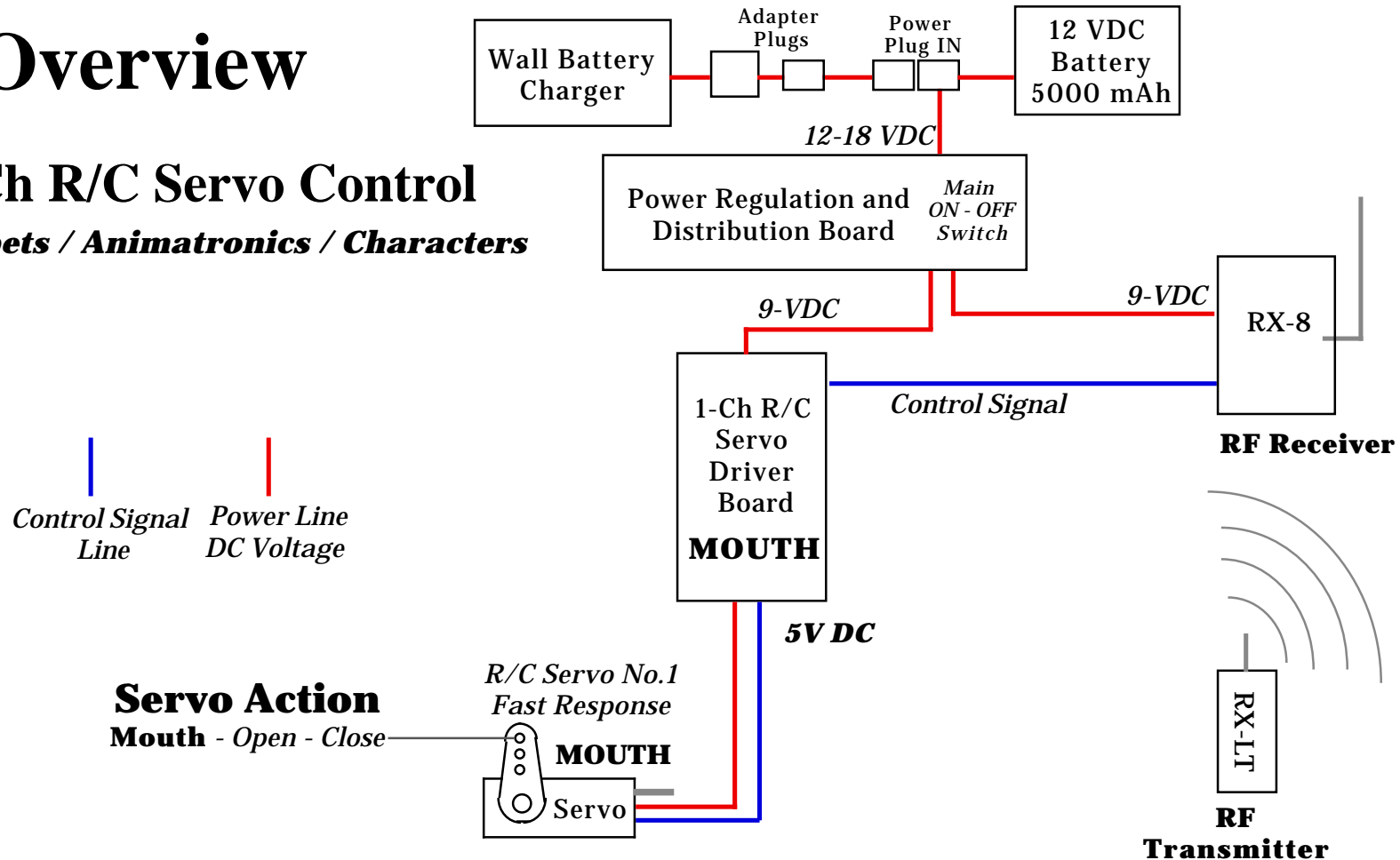
Wireless RF Control Applications

1-Ch Application

Overview

1-Ch R/C Servo Control

Puppets / Animatronics / Characters



Copyright © 2012 Blue Point Engineering All Rights Reserved

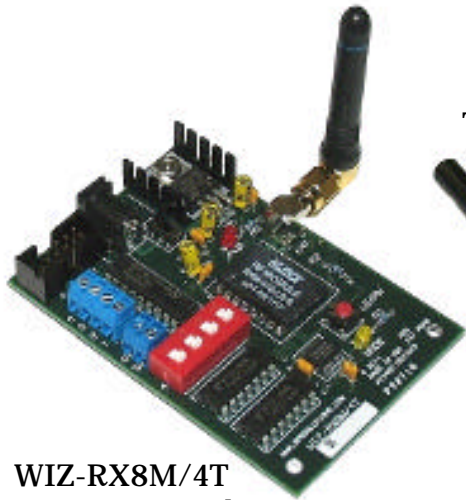
For more information on these products or to place an order

Blue Point Engineering Inc.

www.BPEsolutions.com

Phone (303) 651-3794

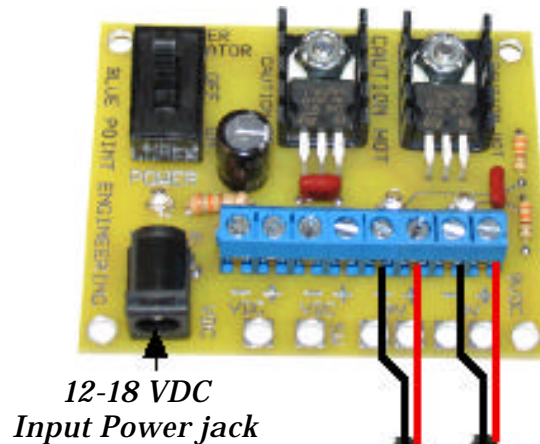
1-Channel R/C Servo Control Components



WIZ-RX8M/4T
Receiver Board



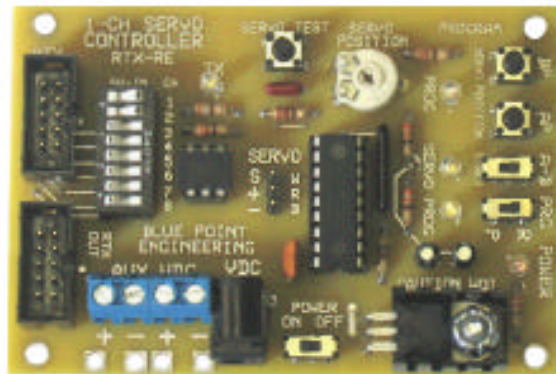
Long Range
Transmitter-8 Ch



Power Regulation and
Distribution Board and Main
OFF/ON Switch with
Battery Connector



R/C Servo
1 x Standard Servo



R/C 1- Ch Servo
Controller Board



Ribbon
Connector

Optional Equipment

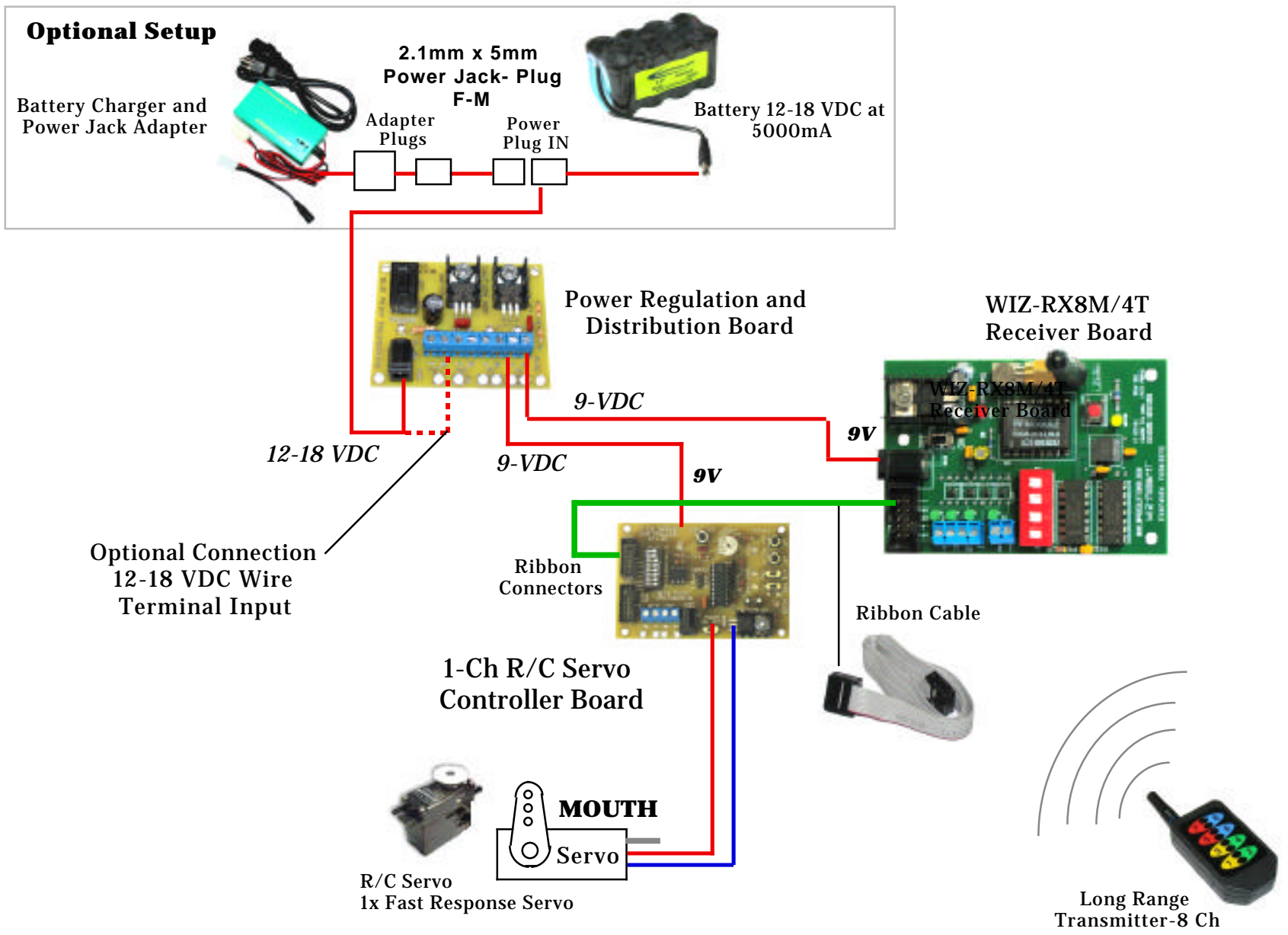


Battery 12-18
VDC at 5000mA
or more

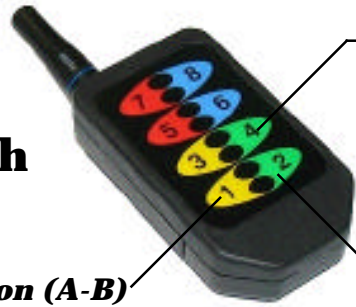


Battery Charger
and Power Jack
Adapter

1-Ch R/C Servo Control Overview



Long Range Transmitter-8 Ch

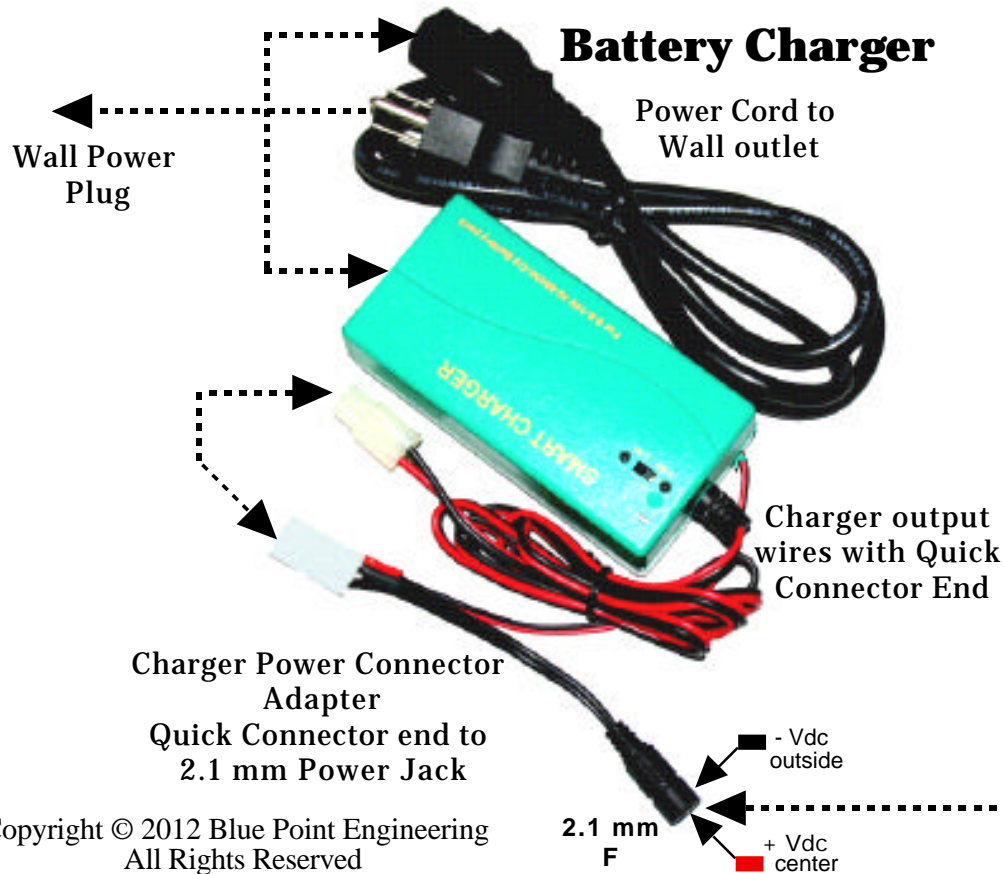


Future Use with RF Aux Boards

**Servo 1 Direction (A-B)
Mouth Open / Close**

Note: No. 2 not used when combined with 1-Ch R/C Servo Mouth Board

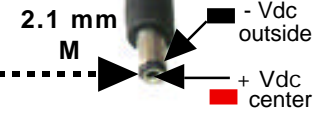
Optional Setup



Battery 12-18 VDC



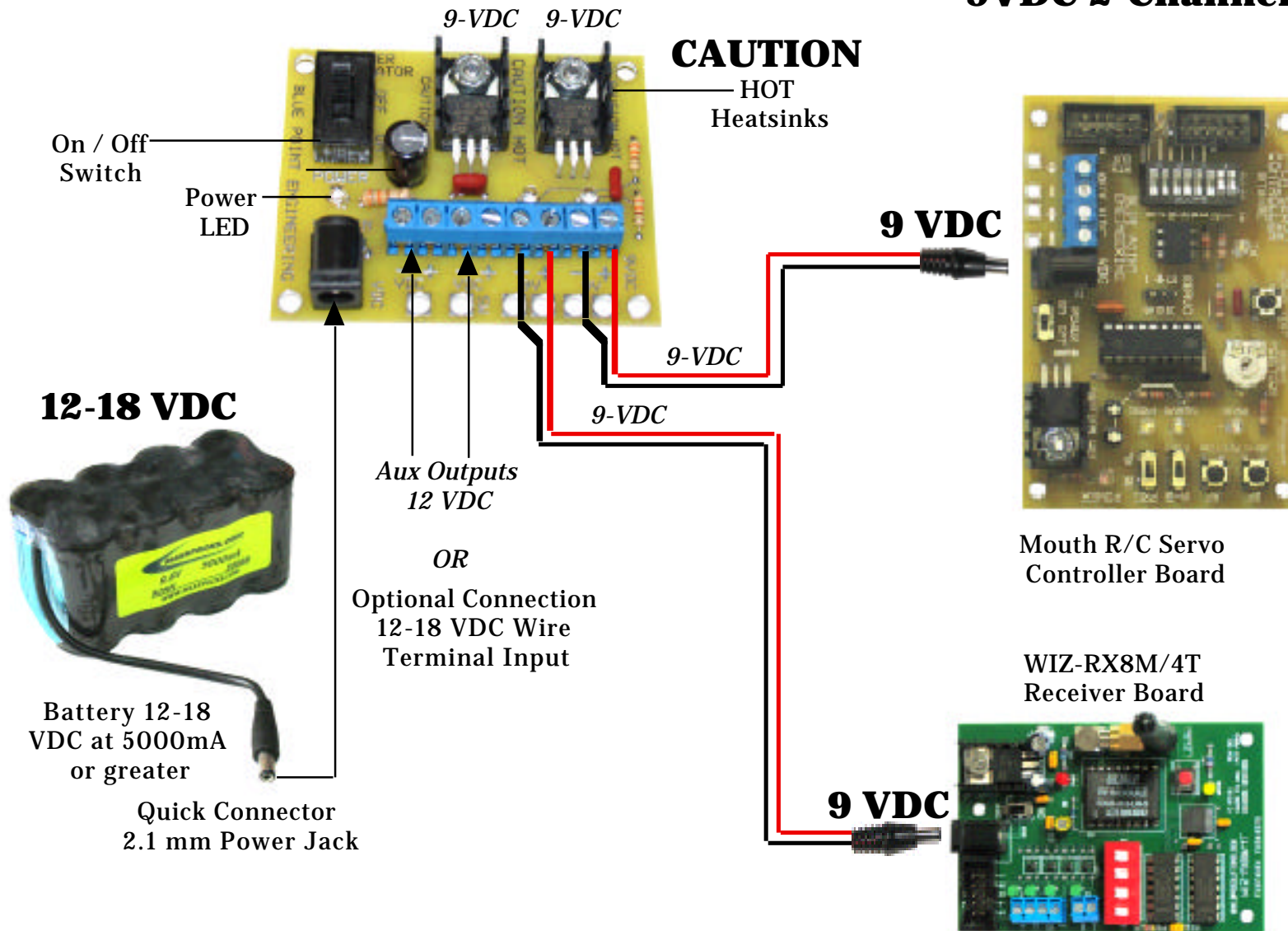
Battery 12-18 VDC at 5000mA



POWER DISTRIBUTION

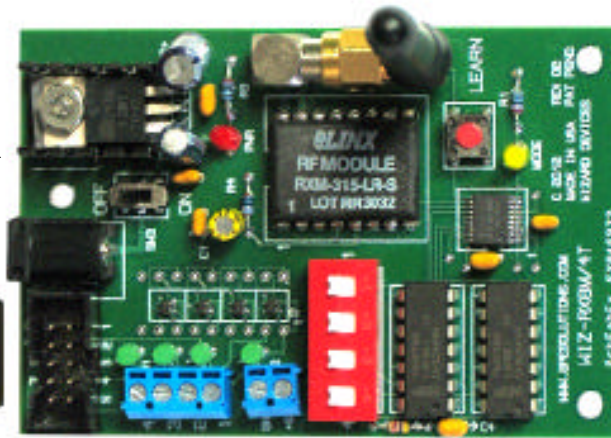
12-18VDC Input and 9VDC 2-Channel Output

Power Regulation and Distribution Board with Main OFF/ON Switch and Battery Connector



RF Receiver to 1Ch Servo Controller Interface Board

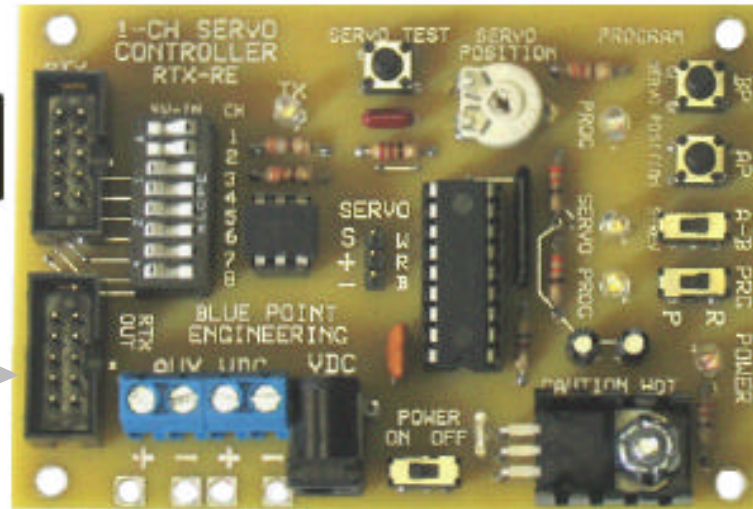
WIZ-RX8M/4T Receiver Board



Ribbon Cable to 1-Ch R/C Servo Controller Board



Ribbon Cable to Future Aux Interface Boards



Mouth R/C Servo Controller Board

