

RF Transmitter Board

RX-8/4 RF System

Overview

RF TRANSMITTER - Switch / Relay Activated Module

Long Range Transmitter-8 Ch

WARNING

Handle RF module with great care, micro-electronics can be easily damaged and destroyed

Transmitter FRONT View

Long Range Antenna

Transmitter BACK View

Board Mounting Hole
See Note

Ribbon Connector

Cable Notch

Note

Board Mounting Hole
USE ONLY A PLASTIC SCREW / NUT-BOLT TO ATTACH BOARD TO PLASTIC BOX OR SUPPORT

BLUE LED

Code Set LED light

Code Set Micro Button

CAUTION

Be careful not to accidentally activate, press code button. Activating button will change transmitter code setting. See section on setting code if accidentally activated or a new transmission code is needed.

Battery Holder
CR2032 Battery

CR2032 Battery (+ Side UP)

Ribbon Connector to Switch / Relay Input Board

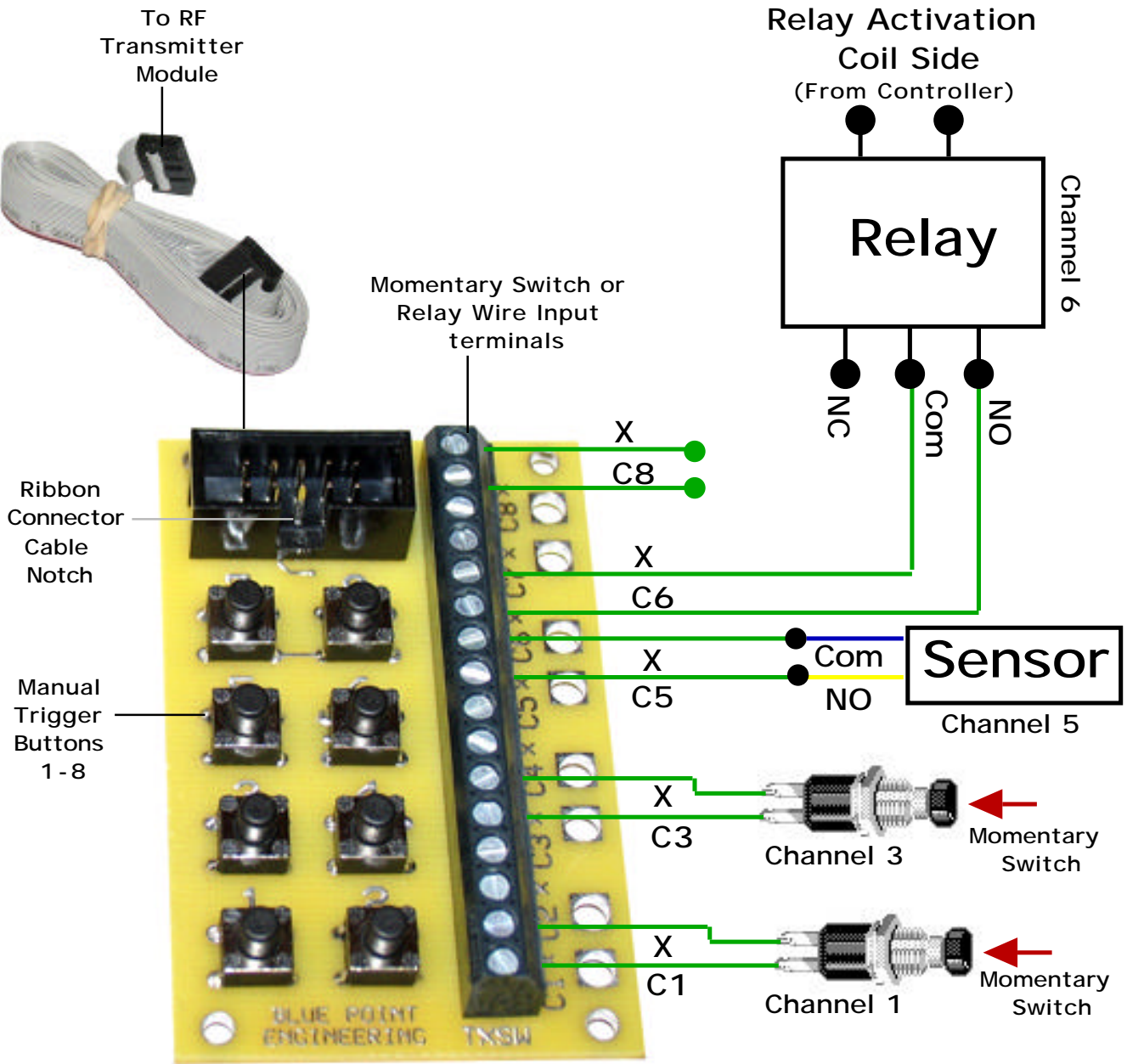
RF Transmitter Board

RX-8/4 RF System

Overview

RF TRANSMITTER - Switch / Relay Activated Module

Momentary Switch - Relay Input Board

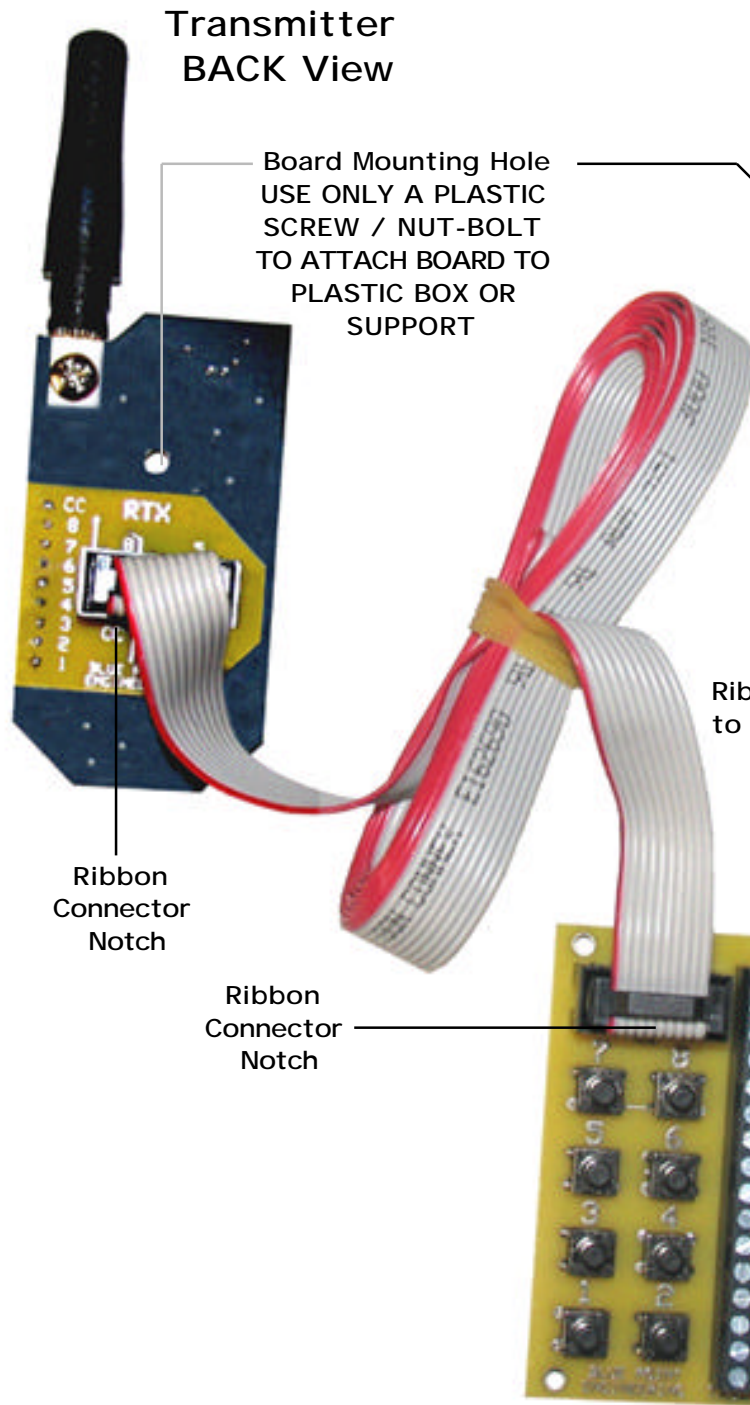


RF Transmitter Board

RX-8/4 RF System

Overview

RF TRANSMITTER - Switch / Relay Activated Module



CAUTION

Handle module with care
micro-electronics can
be easily damaged

Note

It is recommended that the transmitter board be mounted into a plastic box for protection from damage or accidental code transmission re-programming from the code Set micro button

