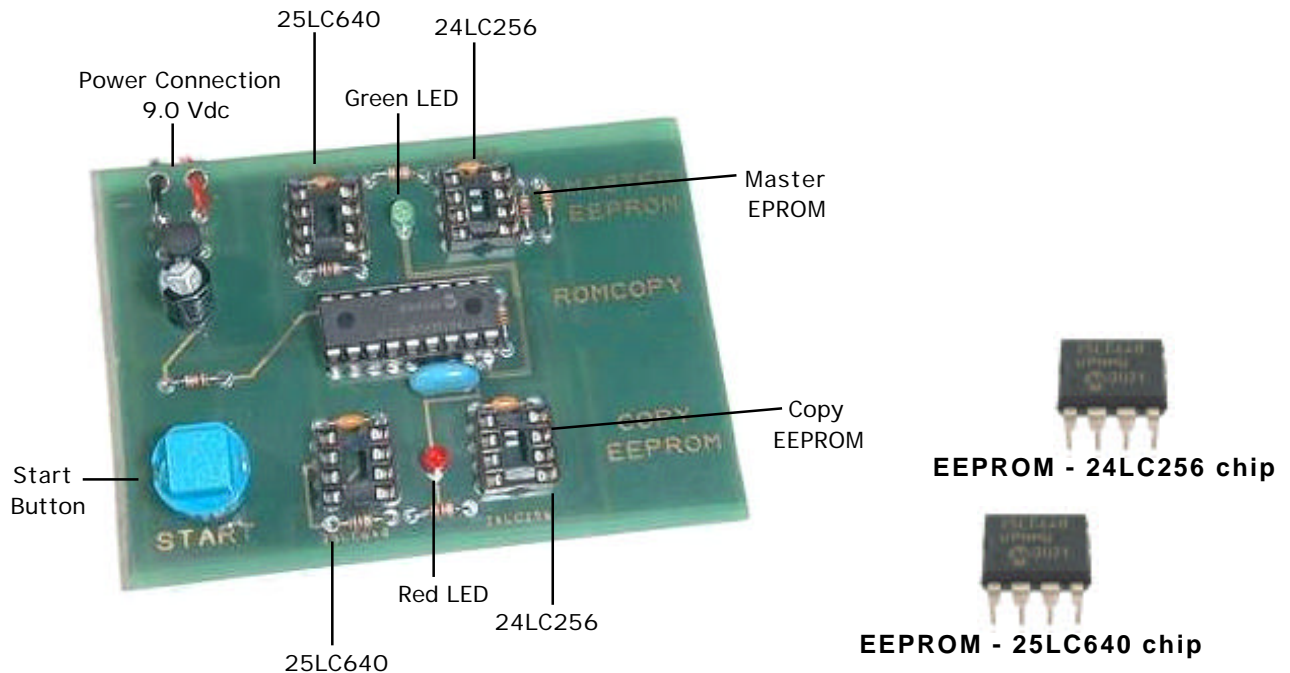


EEPROM COPY BOARD

(EPC-0100)

Controller



The EEPROM Rom Copy board provides a quick and convenient means of duplicating the serial EEPROM's used in the Puppeteer, Animate and Wizard family of control boards.

Rom Copy supports two types of serial EEPROM's - the Microchip 25LC640 and the 24LC256.

- Microchip 25LC640 (used in the Puppeteer and Animate boards).
- Microchip 24LC256 (used in the Wizard - I, II, III boards).

Note: Rom Copy only allows duplication between similar types of EEPROM's.

Operation

- Connect a standard 9V battery to the on board provided snap connector.
- Insert the **MASTER EPROM** in one of the two upper sockets - **NOTE: The notch in the chip should be towards the top edge of the pcb.** The **Left-hand side sockets** should be used for the 25LC640 chips and the **Right-side sockets** for the 24LC256 chips.
- Insert the Blank EEPROM chip into one of the lower sockets.
- Press the Start Button.

The Red and Green LED's will alternately flash to indicate duplicating is in progress. Duplicating will take approximately 15 seconds for the 25LC640 chips and 40 seconds for the 24LC256 chips. At the end of the process, both LED's will turn ON for approximately 3 seconds then both turn OFF.

- It is now safe to remove the copy EEPROM.
- Repeat for further EEPROM's as needed.

Custom Equipment, Unique Electronic Products

Blue Point Engineering

www.BPEsolutions.com
Phone (303) 651-3794