

DMX 8-Channel Relay Board

DMX Relay / Switch Logic

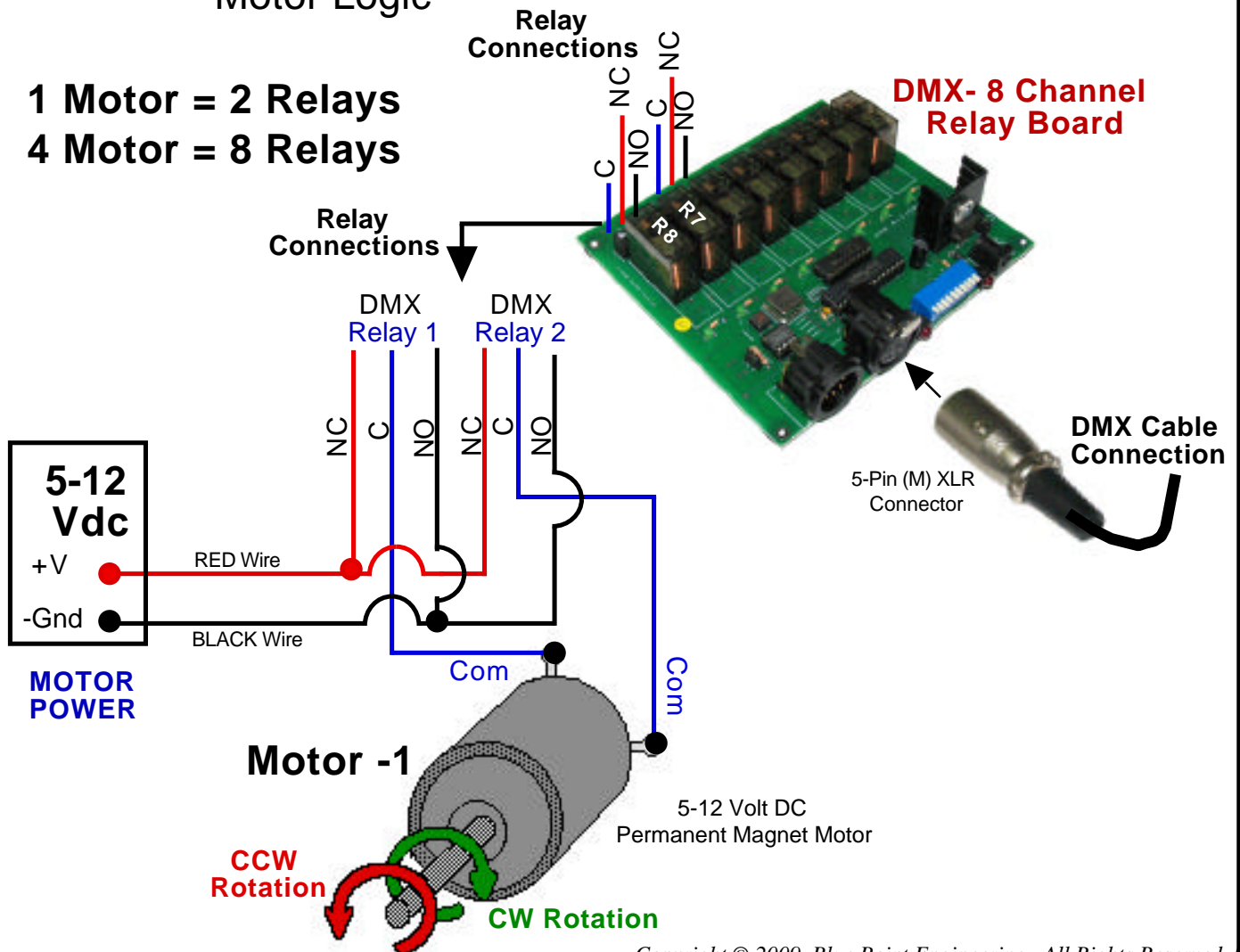
Motor No. 1	DMX Relay 1	DMX Relay 2	Motor Status
	OFF	OFF	STOP
	OFF	ON	CCW
	ON	OFF	CW
	ON	ON	STOP

Motor Logic

Relay Motor Control

This design prevents the possibility of both relays from shorting back into the power supply when relays 1 and 2 are switched ON or OFF together at the same time.

1 Motor = 2 Relays
4 Motor = 8 Relays



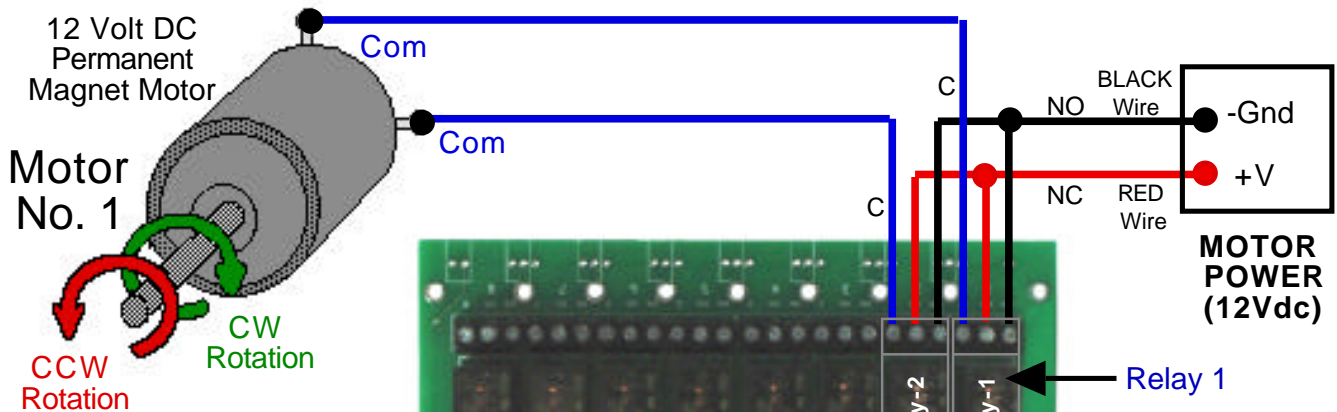
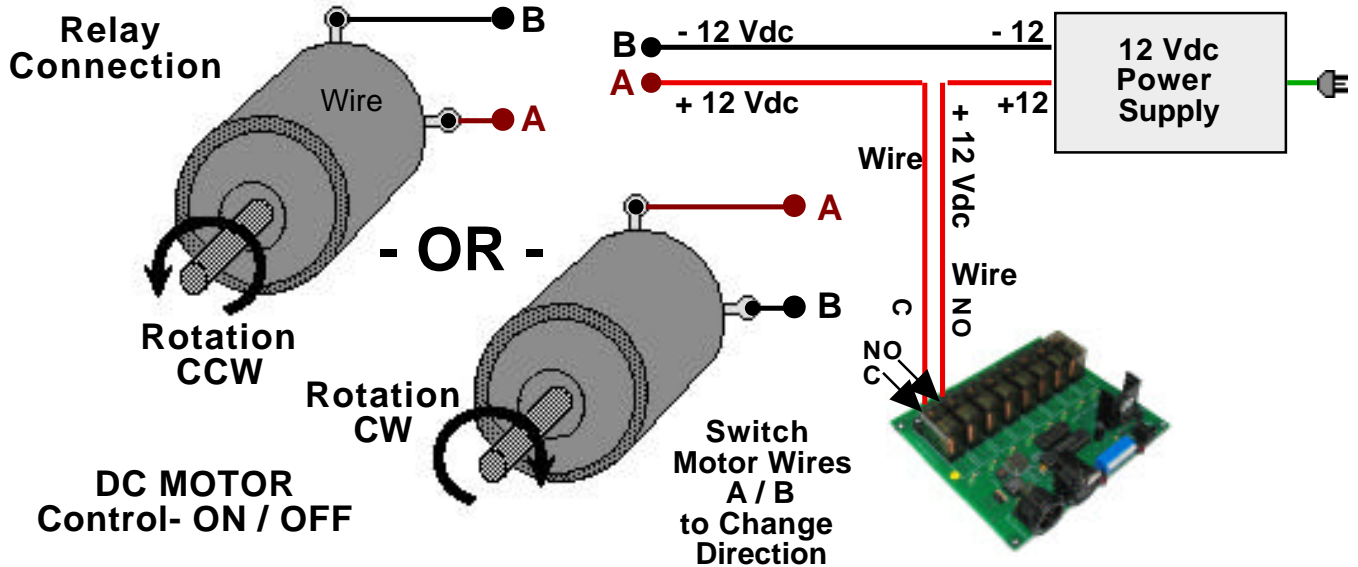
Copyright © 2009 Blue Point Engineering, All Rights Reserved

Custom Equipment, Unique Electronic Products

Blue Point Engineering

Phone (303) 651-3794 (MST)
www.BPEsolutions.com

DMX 8-Channel Relay Board



Motor Logic

Relay 1 ON = Motor CW Rotation
 Relay 2 OFF

Relay 1 OFF = Motor CCW Rotation
 Relay 2 ON

Relay 1 and 2 ON = Motor All Stop
 Relay 1 and 2 OFF

Copyright © 2009 Blue Point Engineering,
 All Rights Reserved

Custom Equipment, Unique Electronic Products

Blue Point Engineering

Phone (303) 651-3794 (MST)
 www.BPEsolutions.com