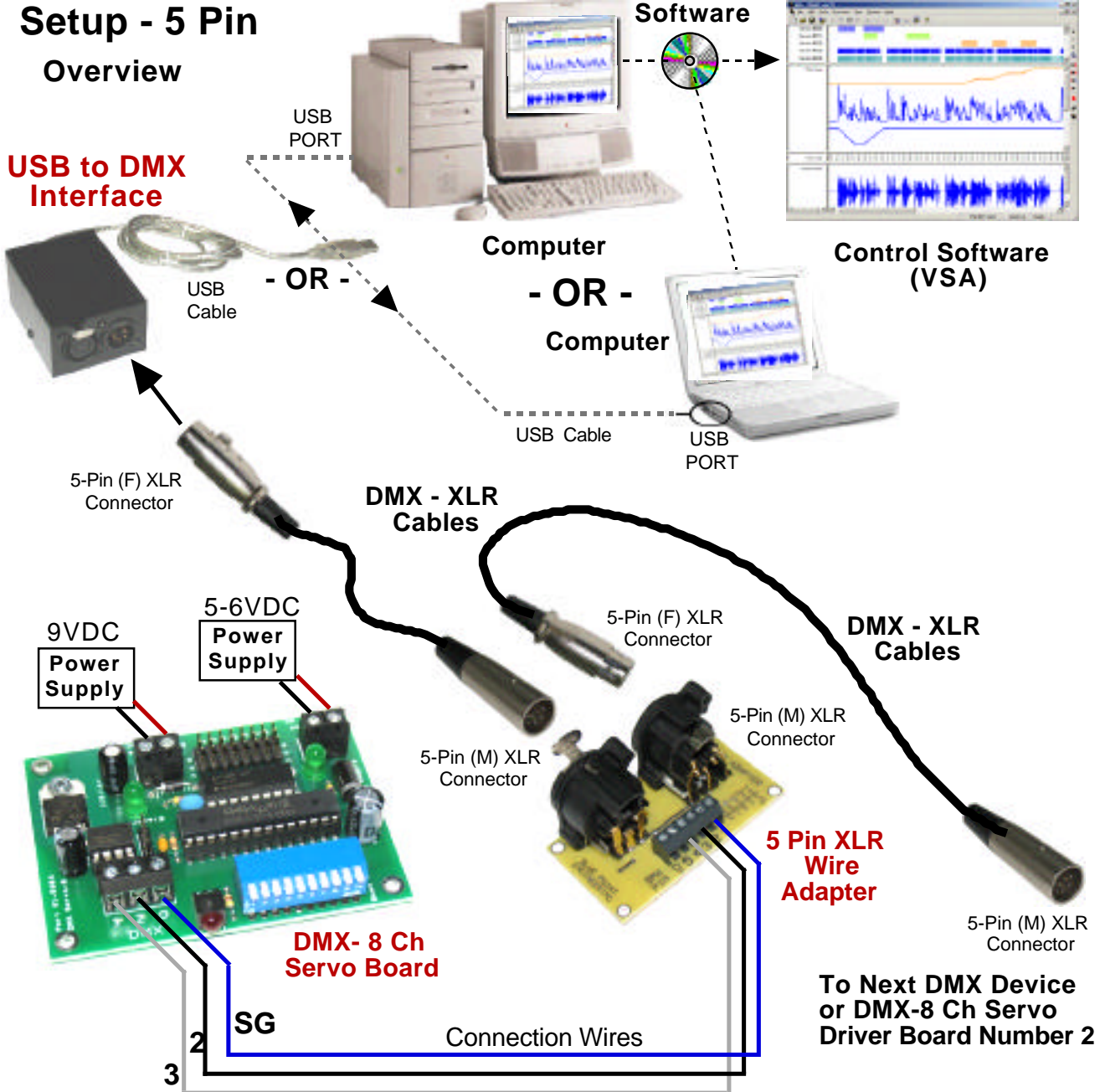


DMX 8-Channel Servo Driver Board

DMX Network Setup - 5 Pin Overview



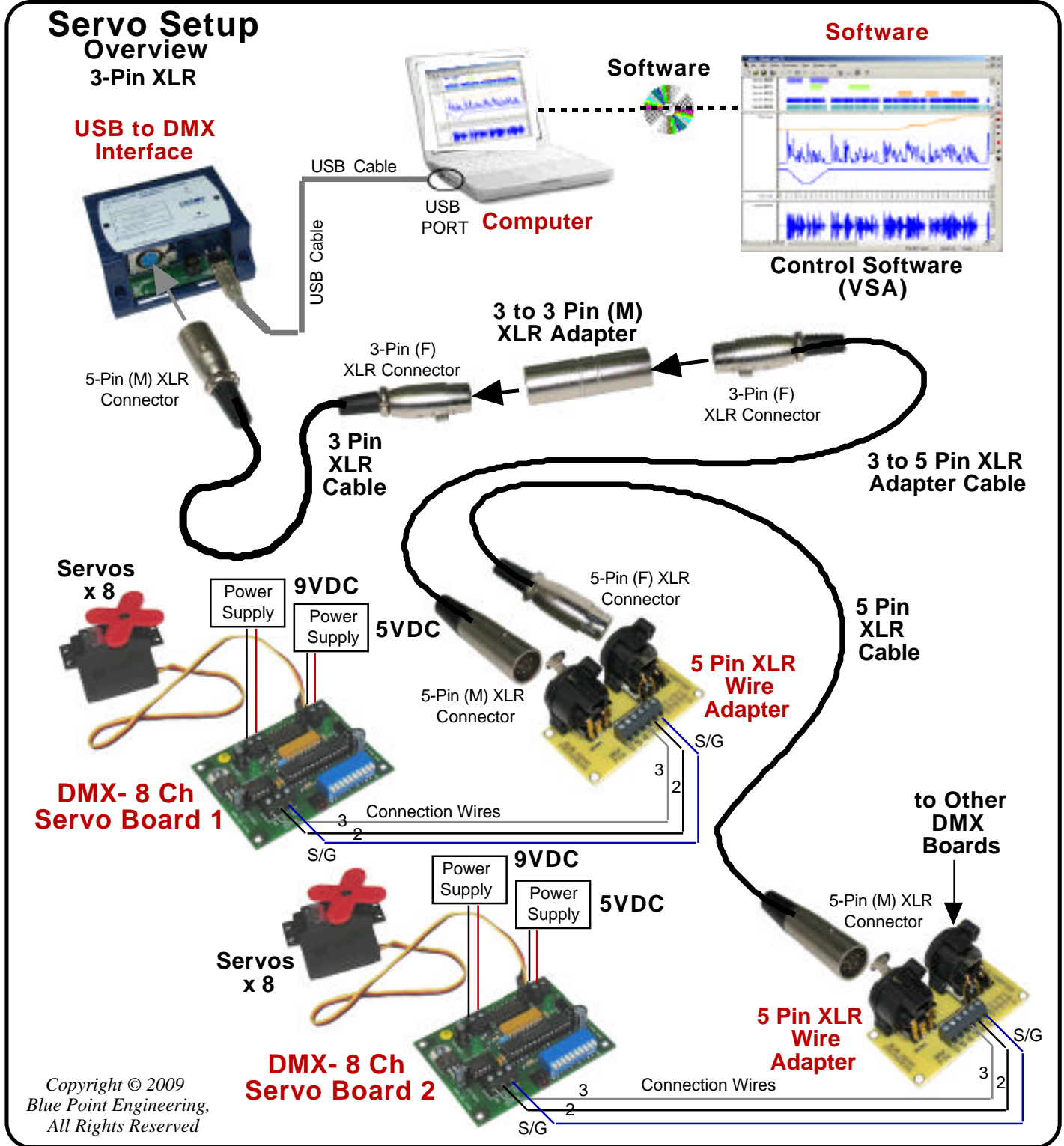
Copyright © 2009 Blue Point Engineering, All Rights Reserved

Custom Equipment, Unique Electronic Products

Blue Point Engineering

Phone (303) 651-3794 (MST)
www.BPEsolutions.com

DMX 8-Channel Servo Driver



Copyright © 2009
Blue Point Engineering,
All Rights Reserved

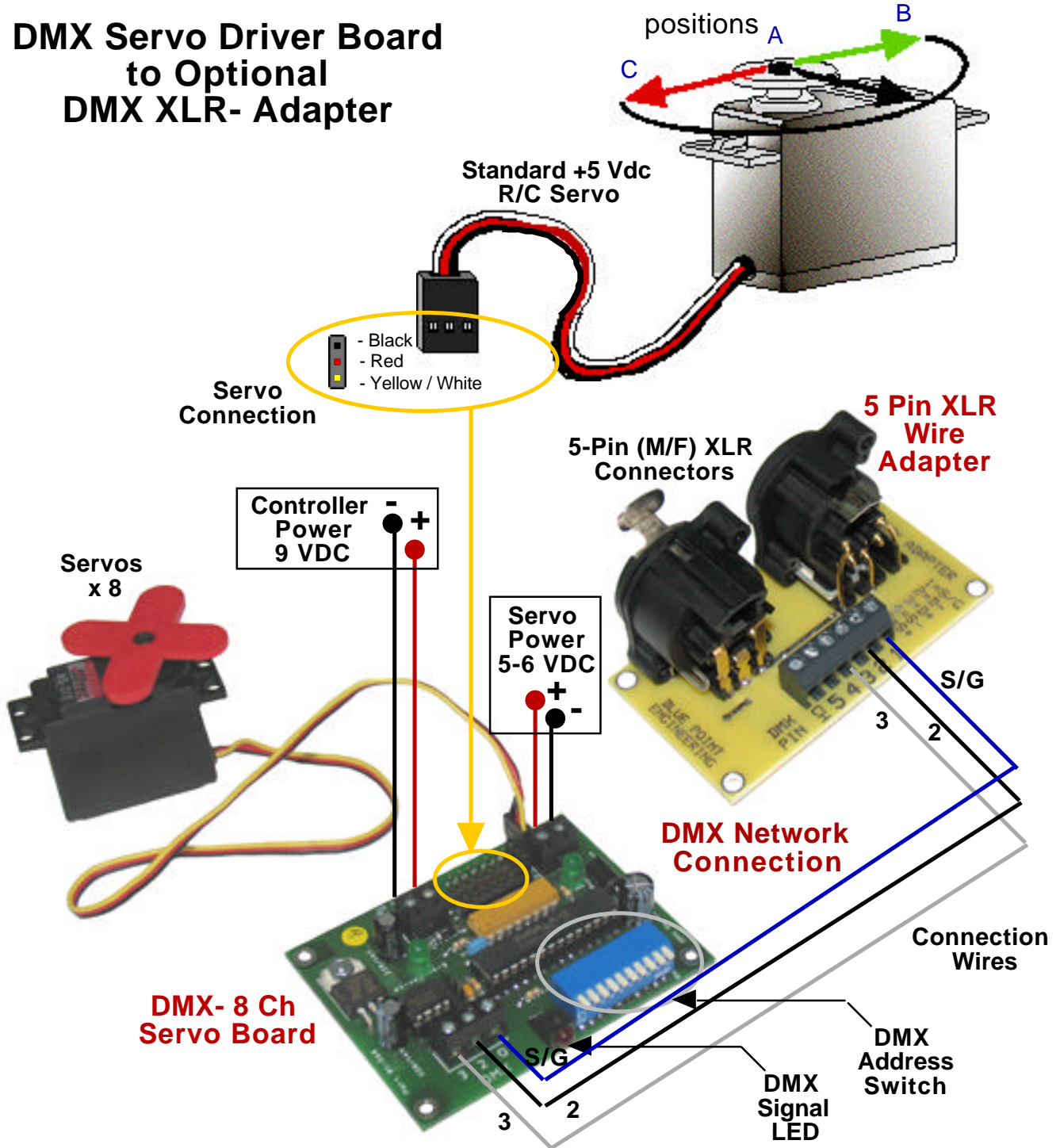
Custom Equipment, Unique Electronic Products

Blue Point Engineering

Phone (303) 651-3794 (MST)
www.BPEolutions.com

DMX 8-Channel Servo Driver

DMX Servo Driver Board to Optional DMX XLR- Adapter



Copyright © 2009 Blue Point Engineering, All Rights Reserved

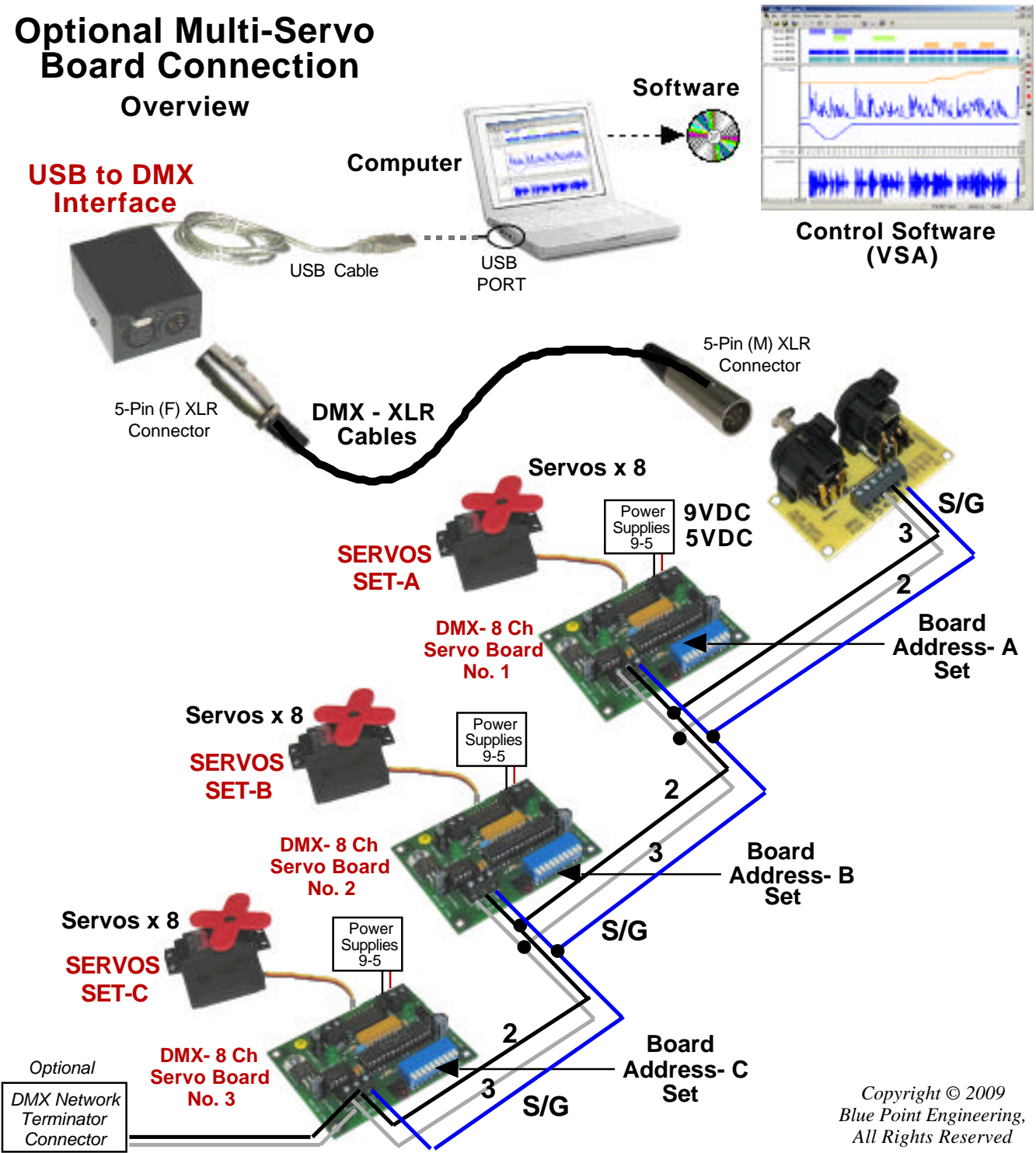
Custom Equipment, Unique Electronic Products

Blue Point Engineering

Phone (303) 651-3794 (MST)
www.BPEsolutions.com

DMX 8-Channel Servo Driver

Optional Multi-Servo Board Connection Overview



Copyright © 2009
Blue Point Engineering,
All Rights Reserved

Custom Equipment, Unique Electronic Products

Blue Point Engineering

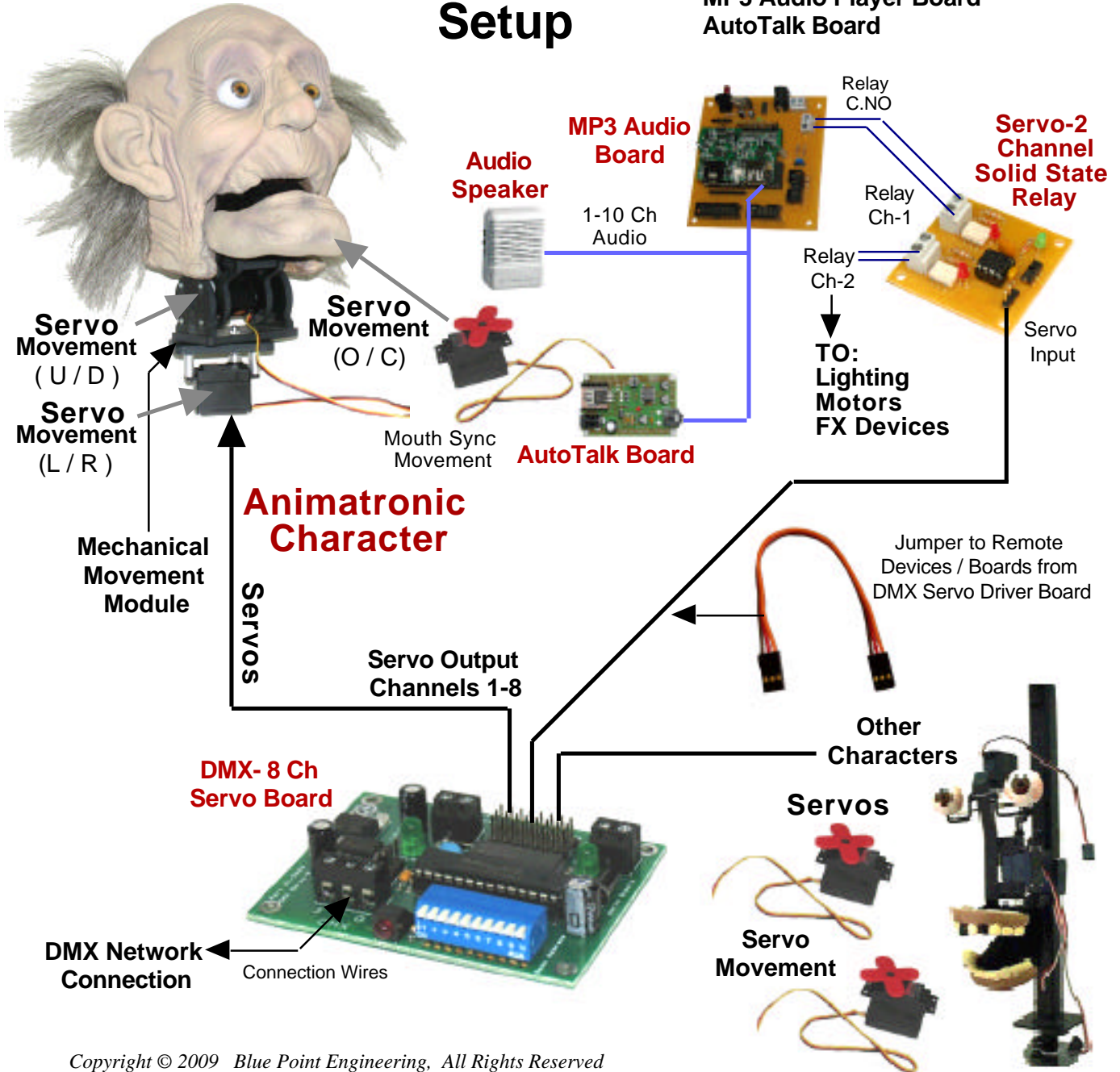
Phone (303) 651-3794 (MST)
www.BPEsolutions.com

DMX 8-Channel Servo Driver

Servo Application
Animatronics

DMX - Hybrid Setup

8-Ch DMX Servo Driver
R/C Servos
Servo Controller Solid State Relays
MP3 Audio Player Board
AutoTalk Board



Copyright © 2009 Blue Point Engineering, All Rights Reserved

Custom Equipment, Unique Electronic Products

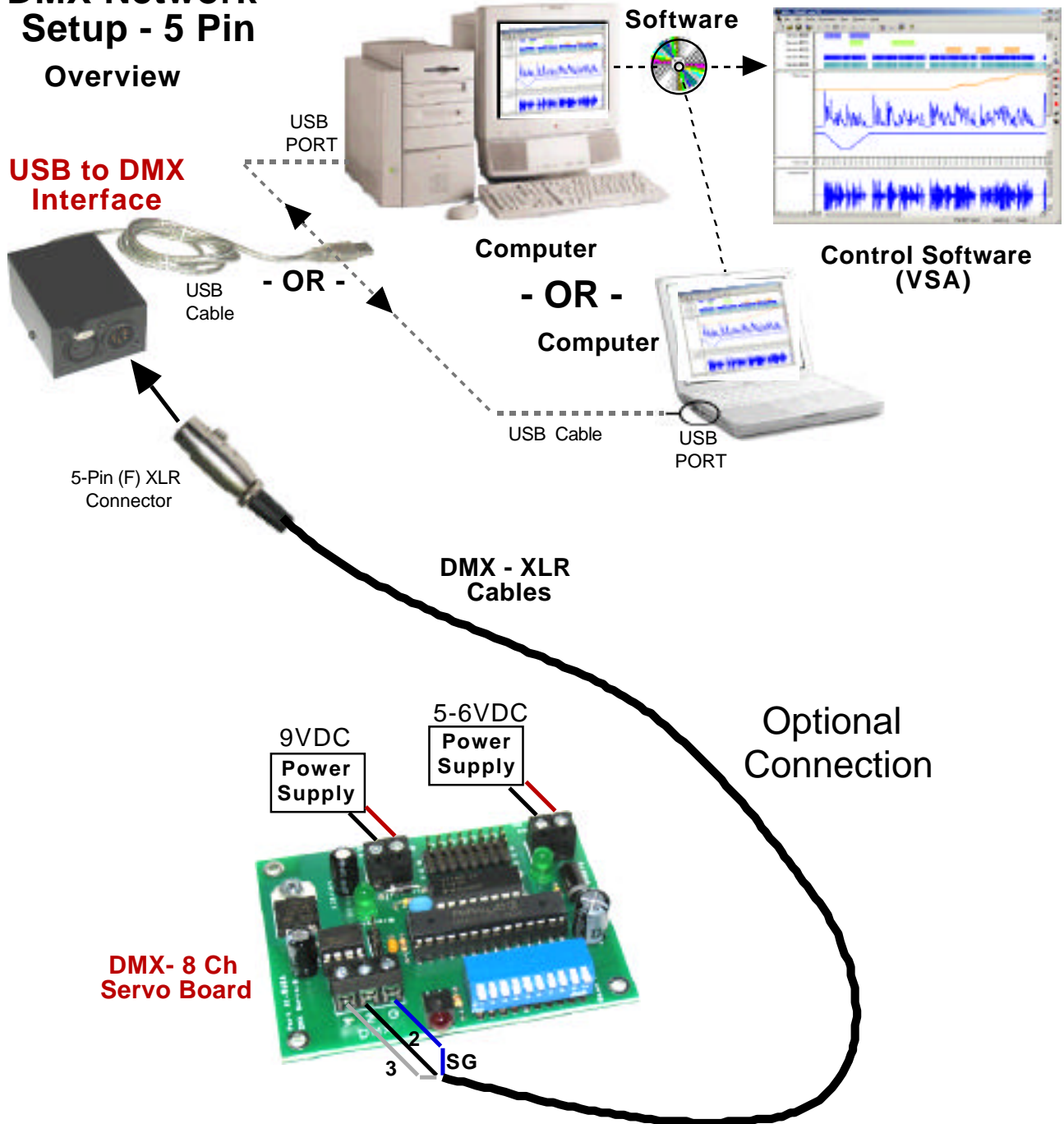
Blue Point Engineering

Phone (303) 651-3794 (MST)
www.BPEsolutions.com

DMX 8-Channel Servo Driver Board

DMX Network Setup - 5 Pin Overview

USB to DMX Interface



Copyright © 2009 Blue Point Engineering, All Rights Reserved

Custom Equipment, Unique Electronic Products

Blue Point Engineering

Phone (303) 651-3794 (MST)
www.BPEsolutions.com