

2-CH IN/OUT Audio Switch Board

Ver 2.0 2017

Description:

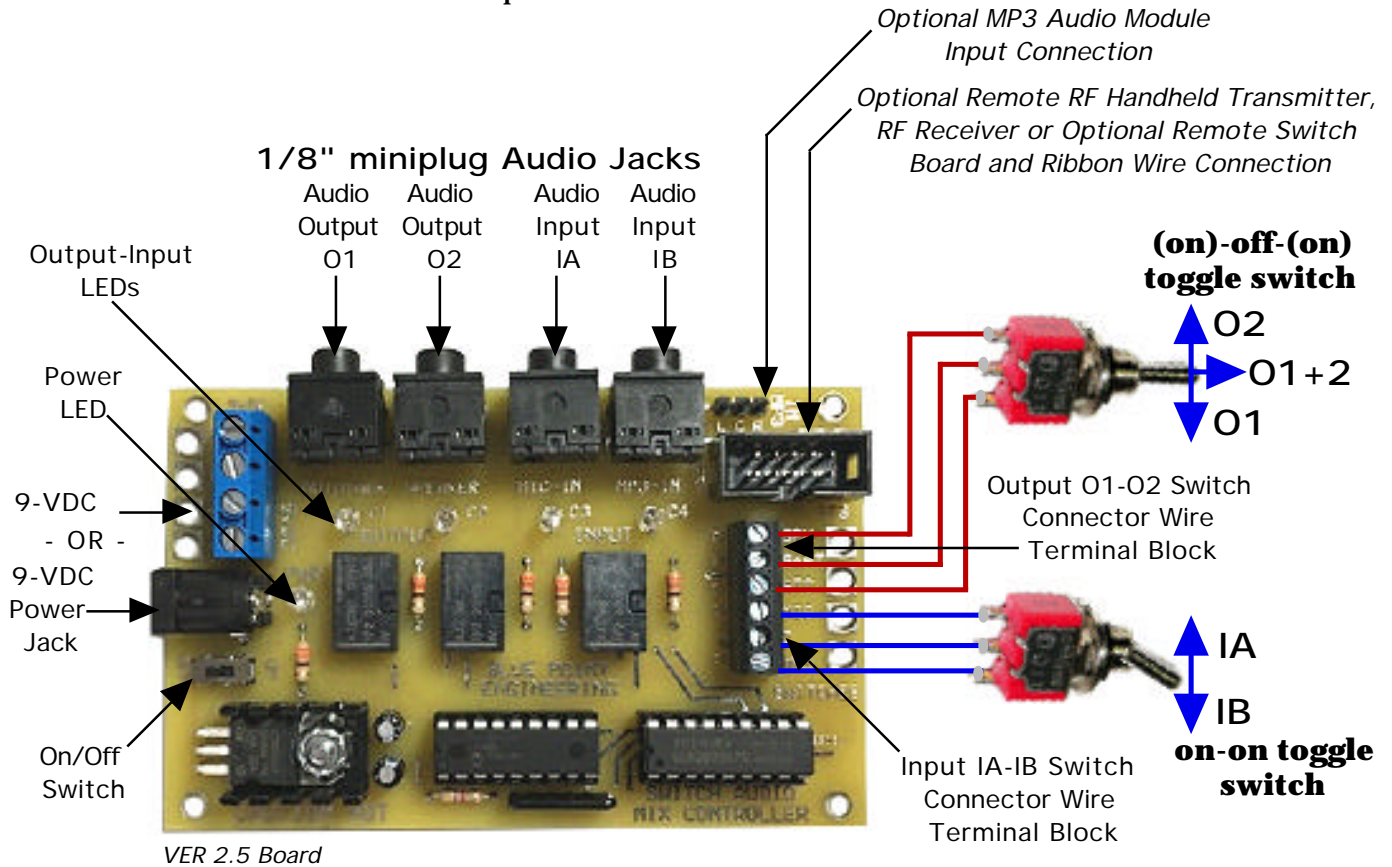
This control board will allow the user to select between 2 stereo sound inputs (IA-IB) and 2 stereo outputs (O1-O2) combinations. Power (9V DC) is applied to the board via a 2.1mm barrel connector (Center Positive +) or 2-position wire terminal block. Indicator LEDs will indicate which inputs (IA-IB) and outputs (O1-O2) are active.

Operation:

Attach a **(on)-off-(on)** toggle switch (the parentheses indicate momentary) to the **output** 3-position terminal block. When the switch is tilted to the left or right, the appropriate output will be selected as indicated by the associated LED being lit. When the switch is in the center position, both outputs (O1-O2) will be selected.

Attach a **on-on** switch to the 3-position **Input** terminal block. This switch will select the input sound source as indicated by the associated LED. Attach your desired input sources to the 2 input stereo jacks and your 2 outputs to the 2 output stereo jacks.

Connect a 9VDC (800 mA) Power Supply to the board power Jack or 9VDC wire terminal block. Power is on when the RED power LED is lit.



Copyright © 2017 Blue Point Engineering, All Rights Reserved