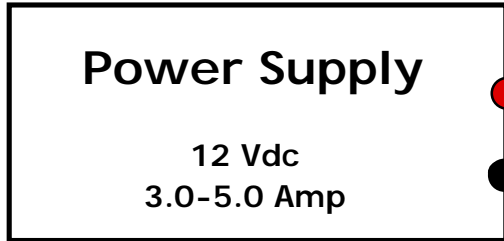


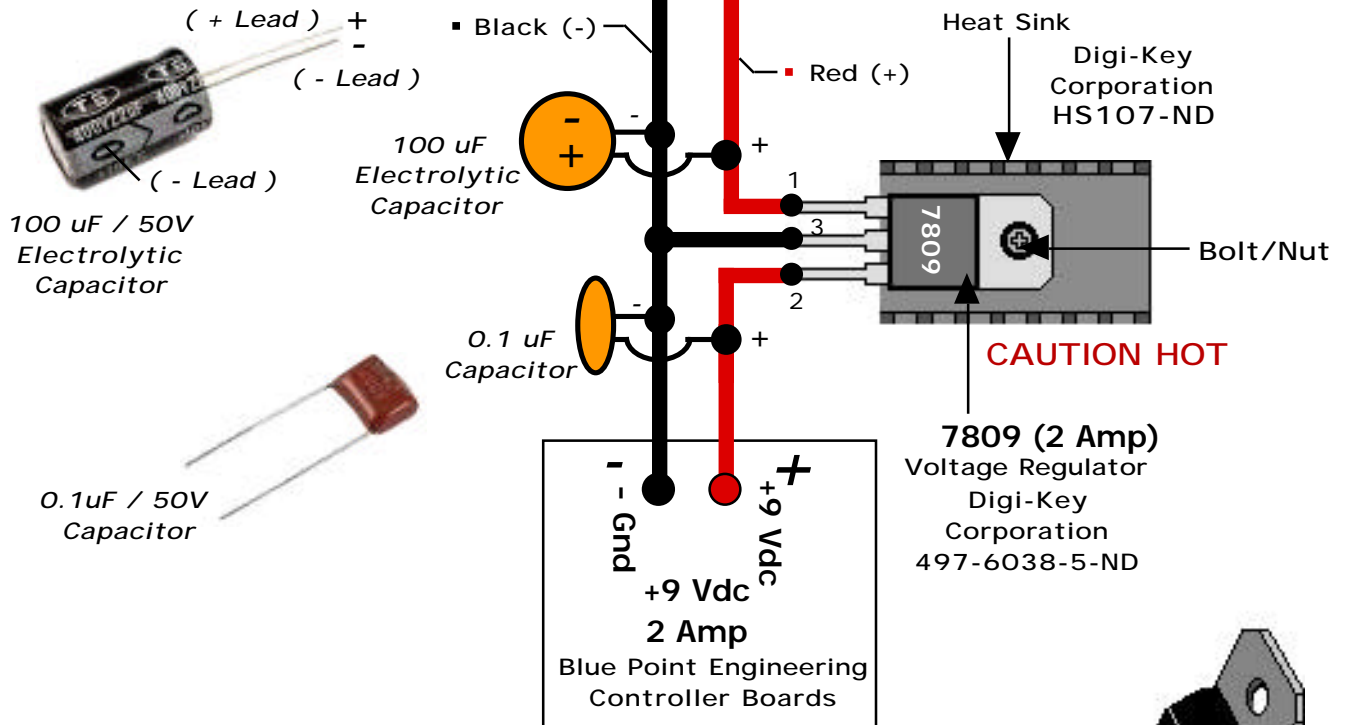


Power Converter: 12Vdc to +9Vdc

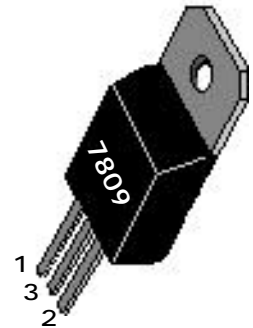
Controller



**NOTE:
MUST HAVE
HEAT SINK**



| 12 Vdc to +9 Vdc Converter | |
|--|------------------------|
| 7809 Voltage Regulator | Digi-Key 497-6038-5-ND |
| Alum100uF / 50V Elec Capacitor | Digi-Key P4525-ND |
| Film 0.1uF / 50V Capacitor | Digi-Key P4525-ND |
| 10 - 18 Vdc @ 3 Amp Power Supply | |
| Heat Sink - Thermal TO-220 | Digi-Key HS107-ND |
| Bolt/Nut 6-32x3/8 Pan/6-32 Nylon Insert Stop Nut Hardware Store | |



1 = Input (10 - 12 Vdc)
3 = Gnd
2 = Output (+9 Vdc)
(2 Amp)

Copyright © 2014 Blue Point Engineering, All Rights Reserved

Custom Equipment, Unique Electronic Products

Blue Point Engineering

Phone (303) 651-3794
www.BPEsolutions.com