

Wireless RF Control Applications

4-Ch Puppet Application

4-Ch Puppet Control Overview

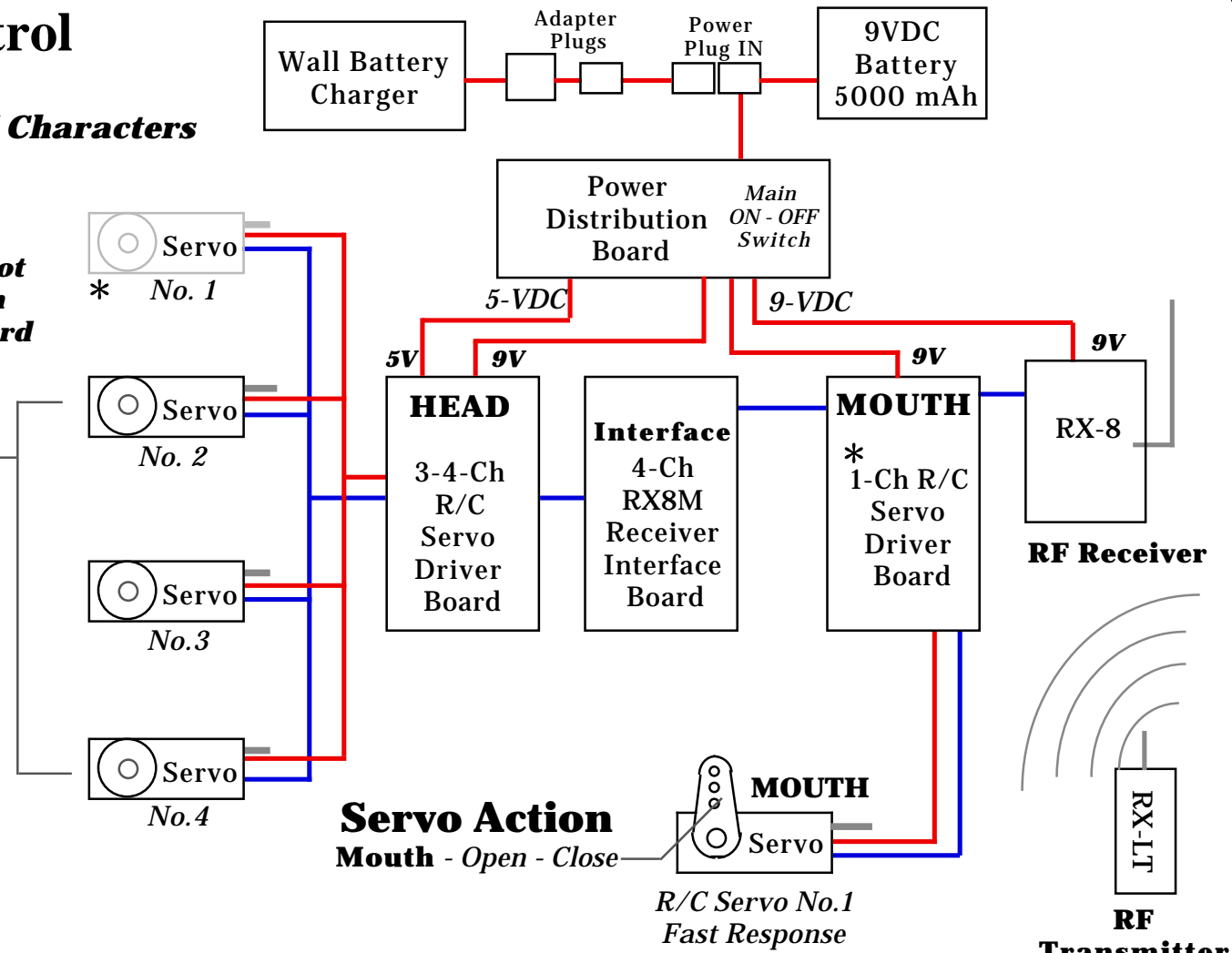
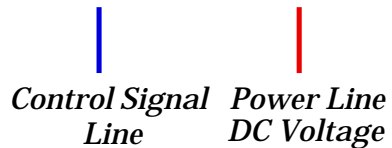
Puppets / Animatronics / Characters

* **Note: Servo No.1 output Not used when combined with 1-Ch R/C Servo Mouth Board**

Servo Action

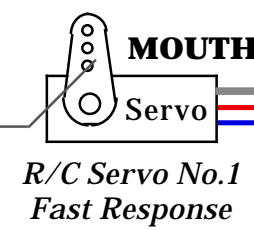
Head - Left-Center-Right
Head - Up-Center-Down

Eyes - Left-Center-Right



Servo Action

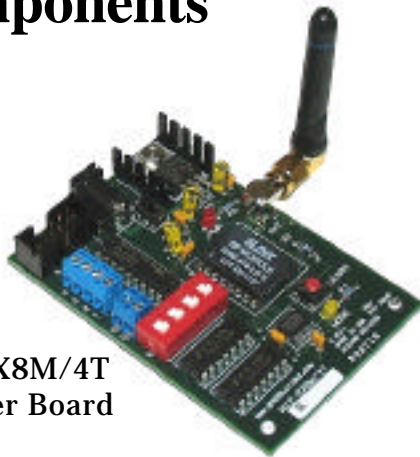
Mouth - Open - Close



Copyright © 2012 Blue Point Engineering All Rights Reserved

For more information on these products or to place an order

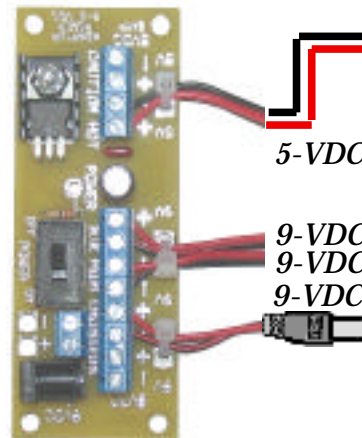
4-Channel Puppet Control Components



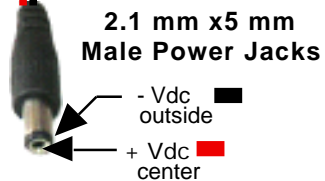
WIZ-RX8M/4T
Receiver Board



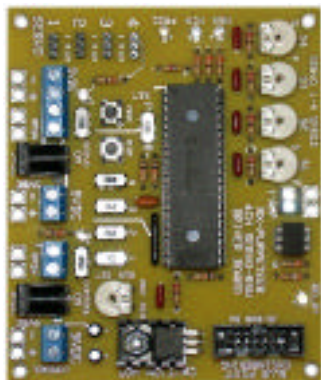
Long Range
Transmitter-8 Ch



Power Distribution Board and
Main OFF/ON Switch with
Battery Connector



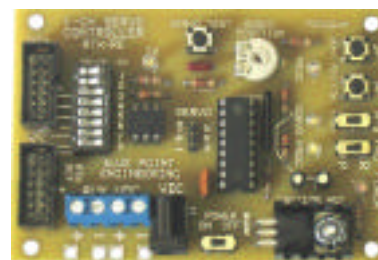
R/C Servos
3 x Standard Servos
1x Fast Response Servo



4-Ch R/C Servo
Controller Board



4-Ch Servo Controller to
RX8M/Receiver
Interface Board



Mouth R/C Servo
Controller Board



Ribbon
Connectors

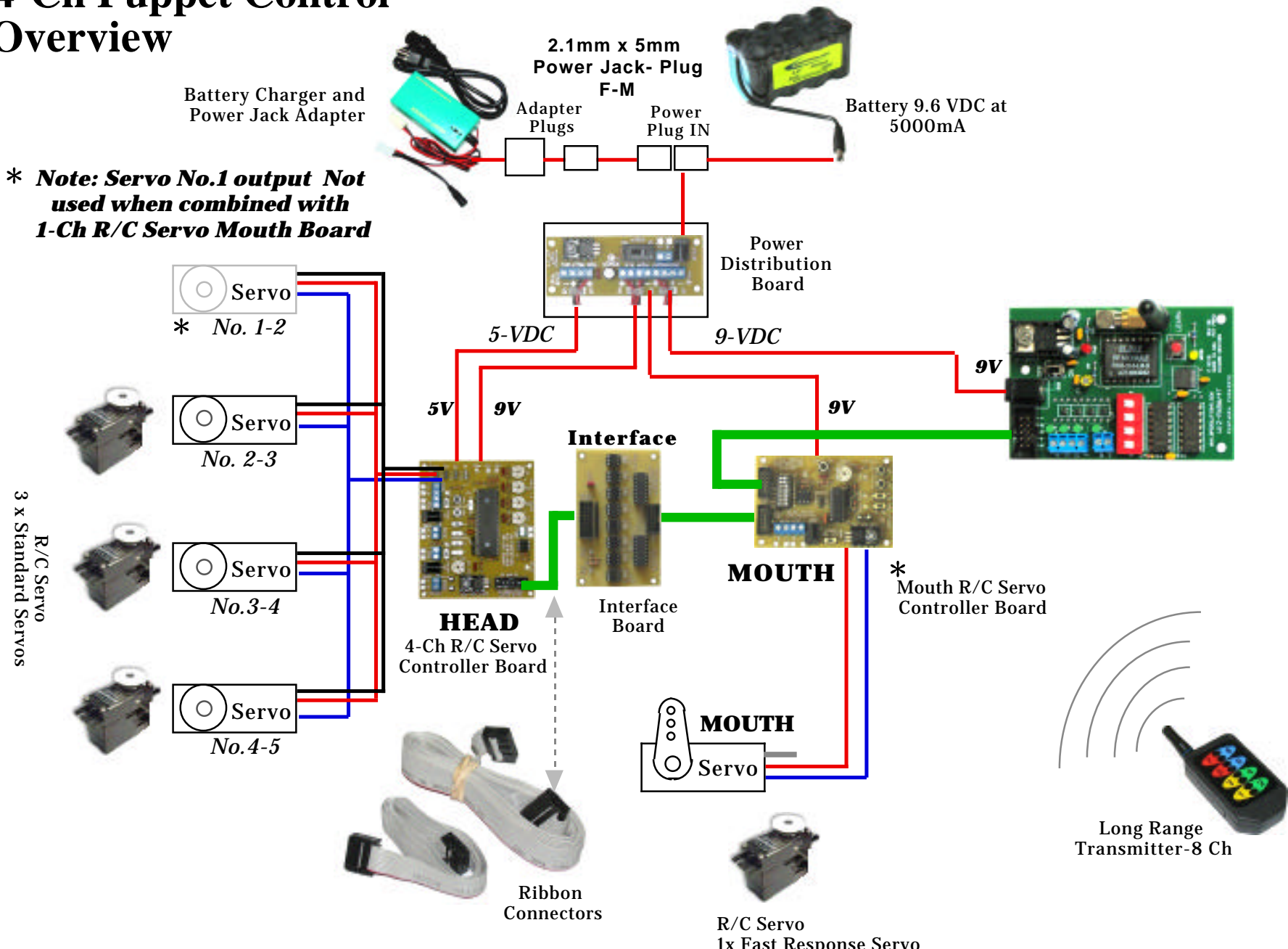


Battery 9.6 VDC
at 5000mA



Battery Charger
and Power Jack
Adapter

4-Ch Puppet Control Overview



Long Range Transmitter-8 Ch

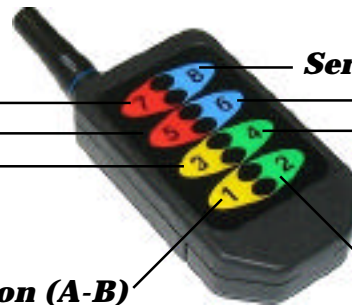
HEAD / EYE Movements

Servo 4 Direction (A)

Servo 3 Direction (A)

Servo 2 Direction (A)

Servo 1 Direction (A-B)
Mouth Open/Close



Servo 4 Direction (B)

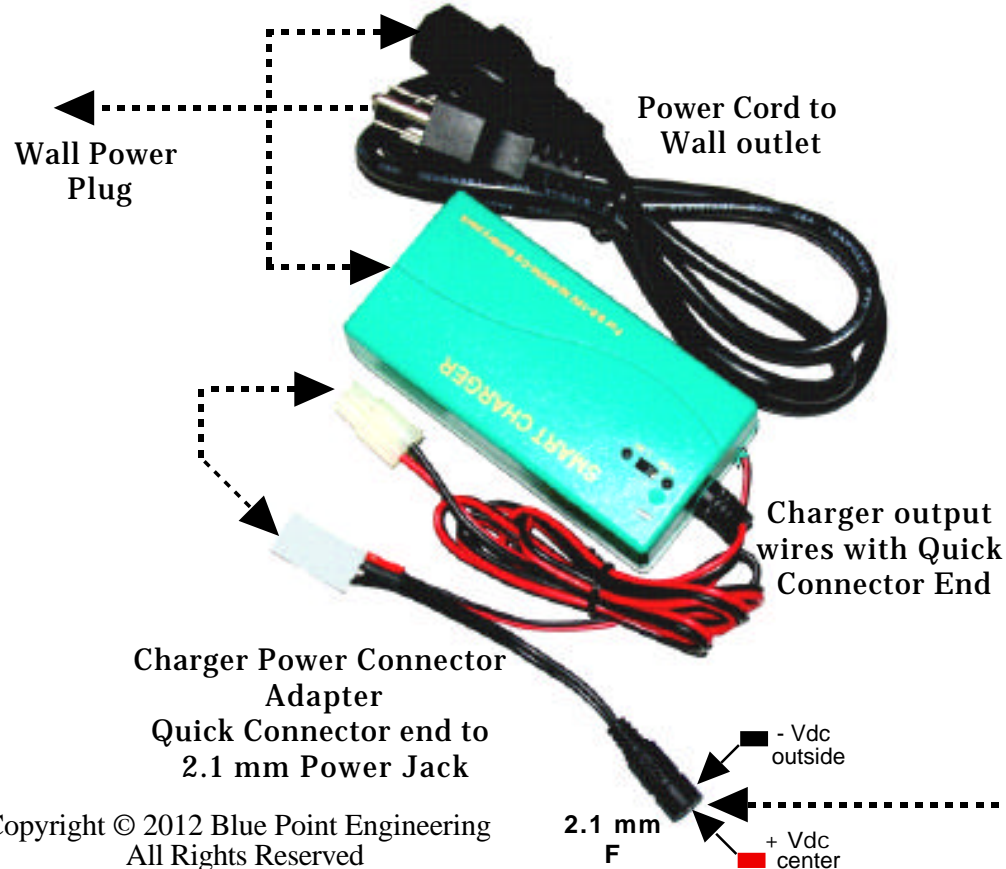
Servo 3 Direction (B)

Servo 2 Direction (B)

HEAD / EYE Movements

Note: No. 2 not used when combined with 1-Ch R/C Servo Mouth Board

Battery Charger



Battery 9.6 VDC at 5000mA

