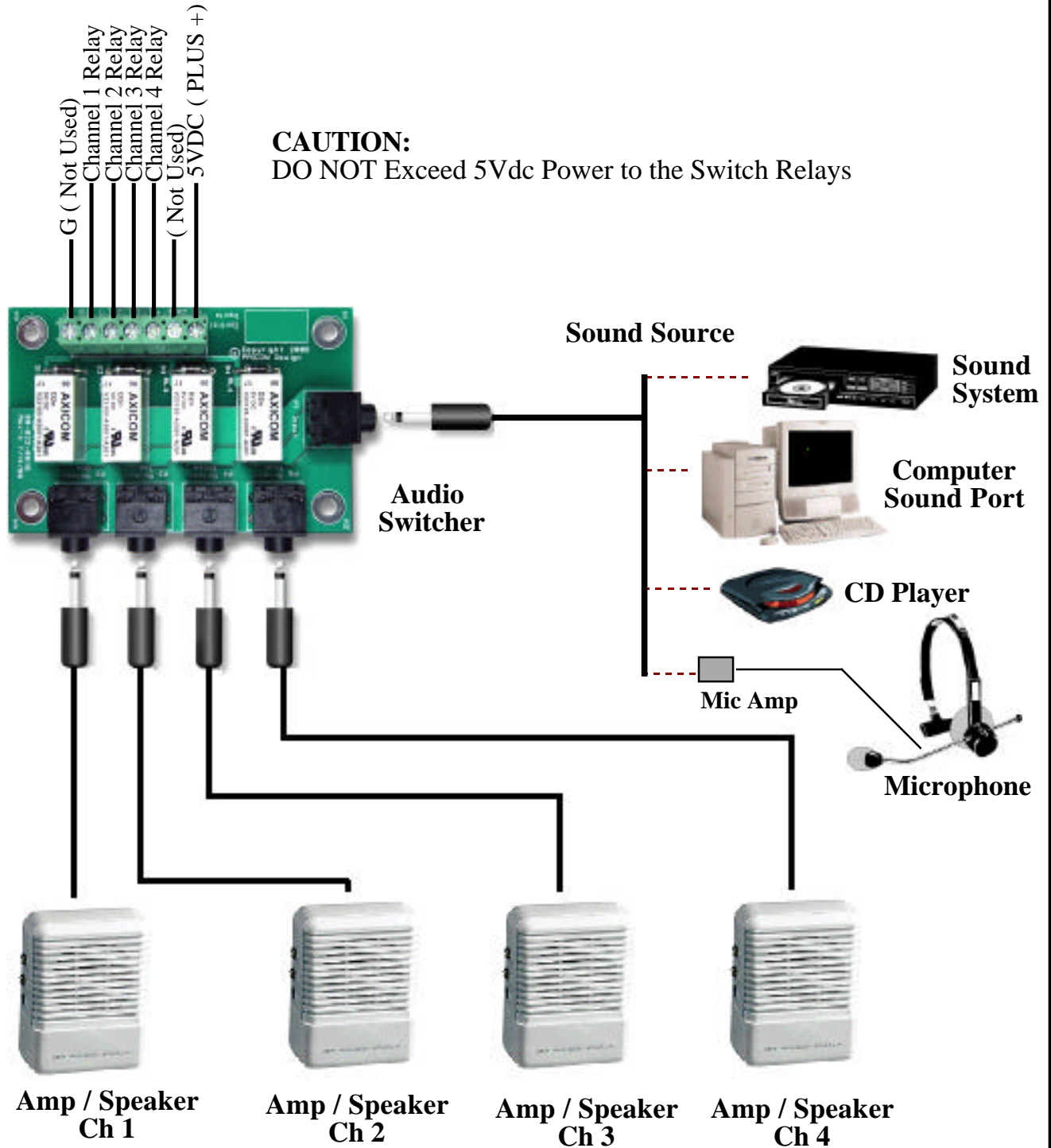


Sound Switch



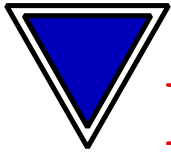
Copyright © 2007 Blue Point Engineering LLC , All Rights Reserved

Version 1.0

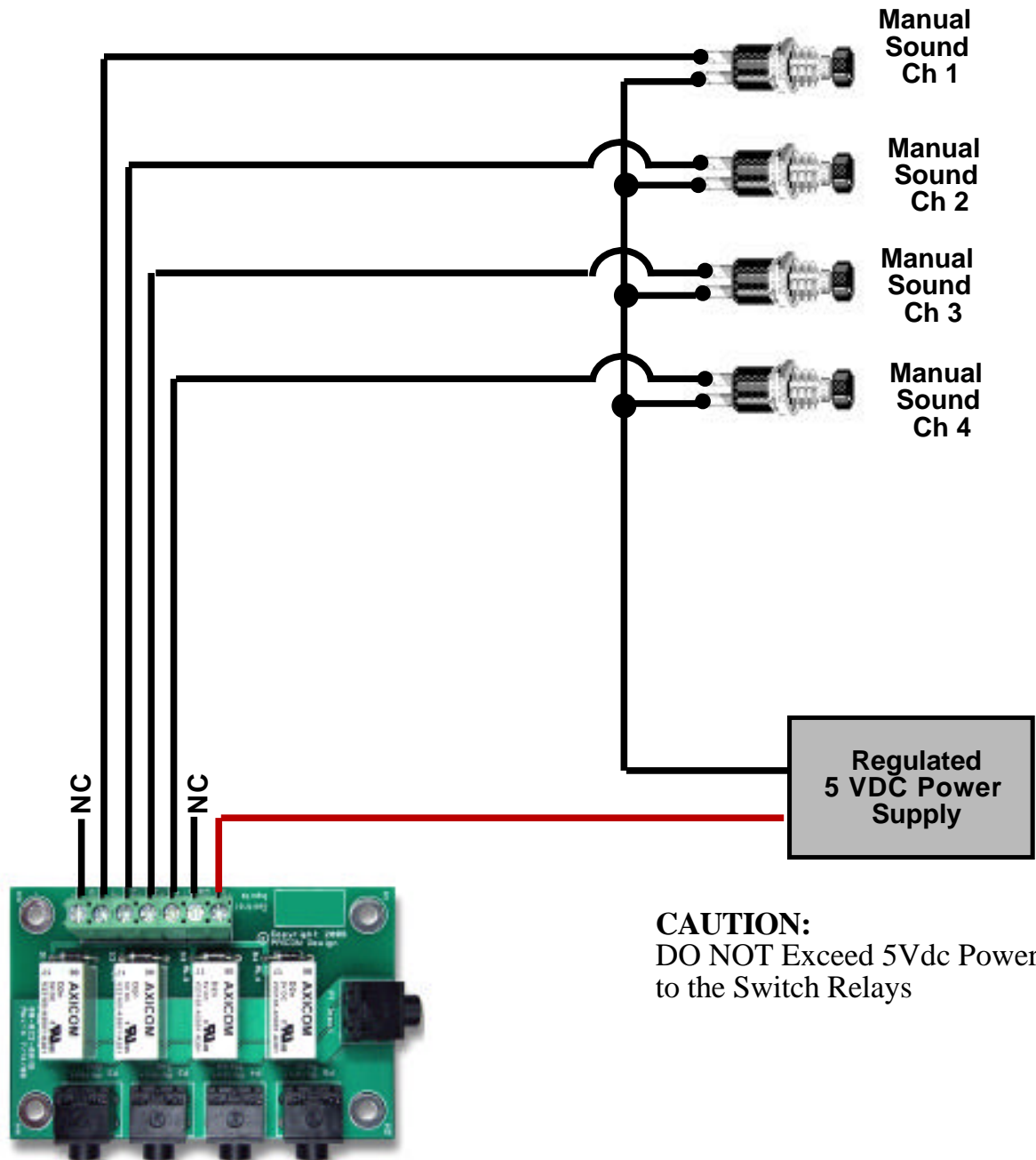
Custom Equipment, Unique Electronic Products

Blue Point Engineering

Phone (303) 651-3794 (MST)
<http://www.BPEsolutions.com>



Sound Switch



CAUTION:
DO NOT Exceed 5Vdc Power
to the Switch Relays