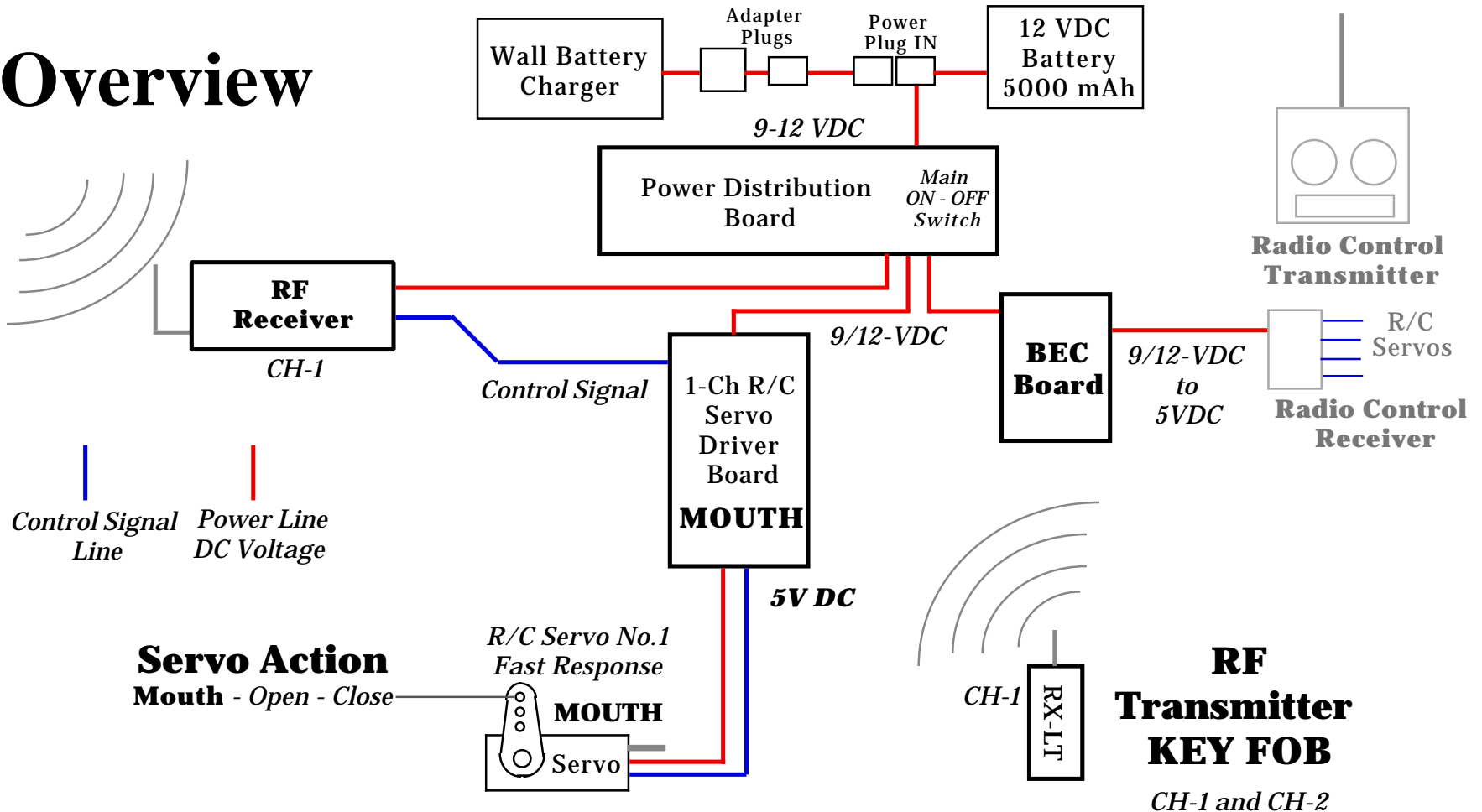


Wireless RF Control Applications

1-Ch Application

Overview



Copyright © 2017 Blue Point Engineering All Rights Reserved

1-Channel R/C Servo Control Components



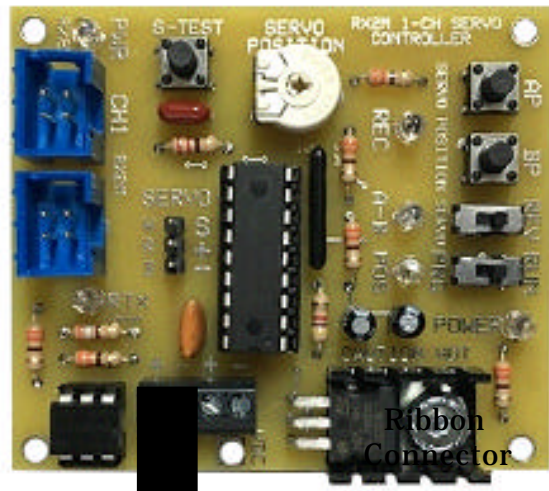
Handheld 2-CH Key Fob



Ribbon Connection Cable (Receiver to Servo Driver Board)

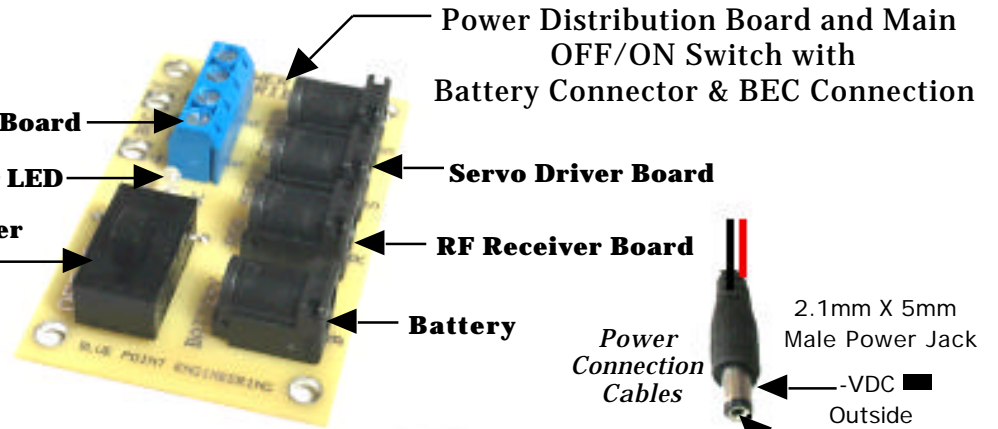


RF 2-CH Receiver Board Quick Ribbon Cable Version



R/C 1-Ch Servo Controller Board

Ribbon Connector



BEC Board

Power LED

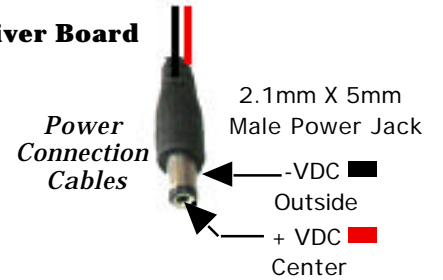
Main Power Switch

Power Distribution Board and Main OFF/ON Switch with Battery Connector & BEC Connection

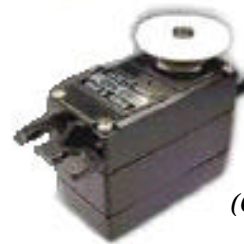
Servo Driver Board

RF Receiver Board

Battery



2.1mm X 5mm Male Power Jack
-VDC Outside
+ VDC Center



R/C Servo 1 x Standard Servo (Quick Response Analog Servo)

Power Supply (Battery) Equipment (Optional)



Battery 12-18 VDC at 5000mA or more

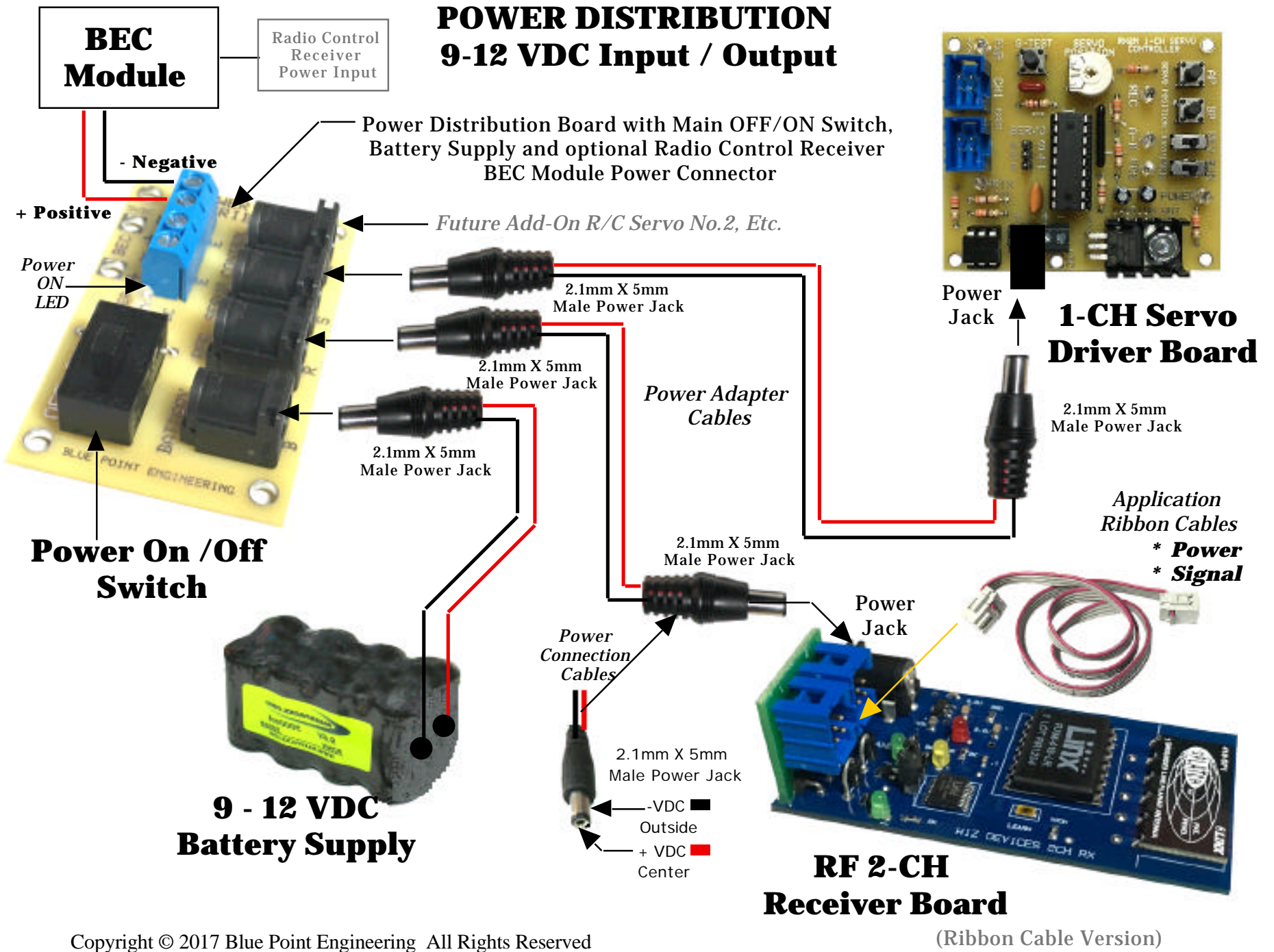


Battery Charger and Power Jack Adapter

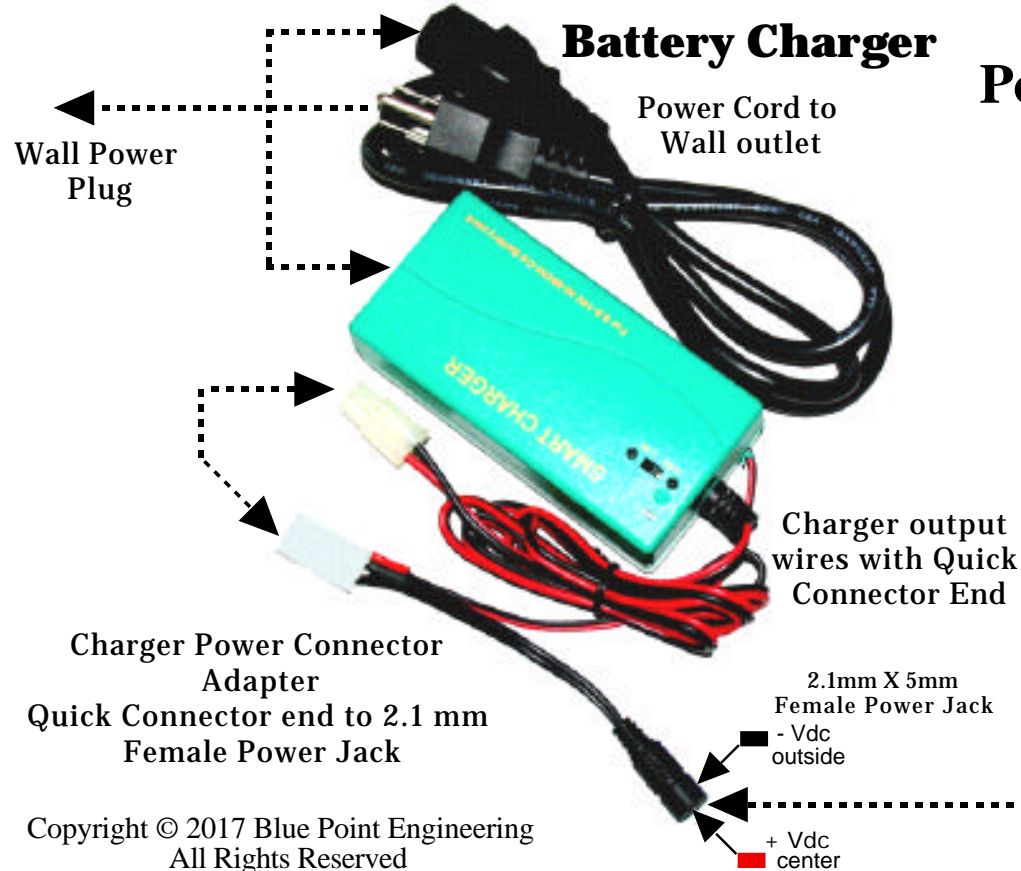
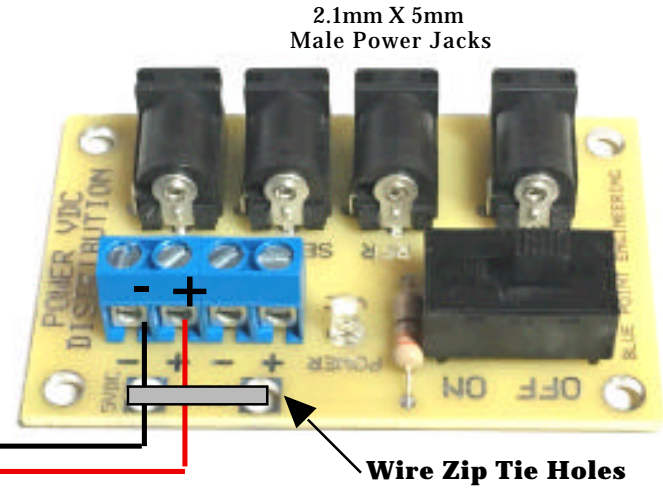
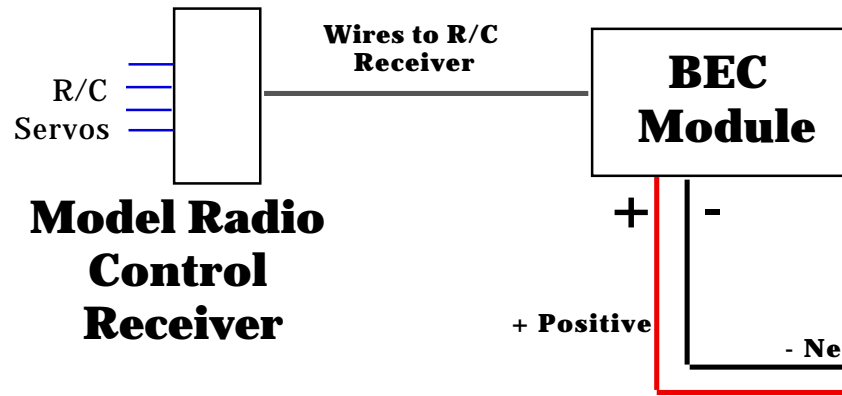
2.1mm X 5mm Male Power Jack

2.1mm X 5mm Female Power Jack

POWER DISTRIBUTION 9-12 VDC Input / Output



BEC Module - POWER DISTRIBUTION





Power Supply (Battery) Equipment Battery 9-12 VDC



2-Ch Servo Control Overview

Puppets / Animatronics / Characters

Future Upgrade - Eye Blink, Etc.

 *Control Signal Line*
 *Power Line DC Voltage*

Eye Blink

