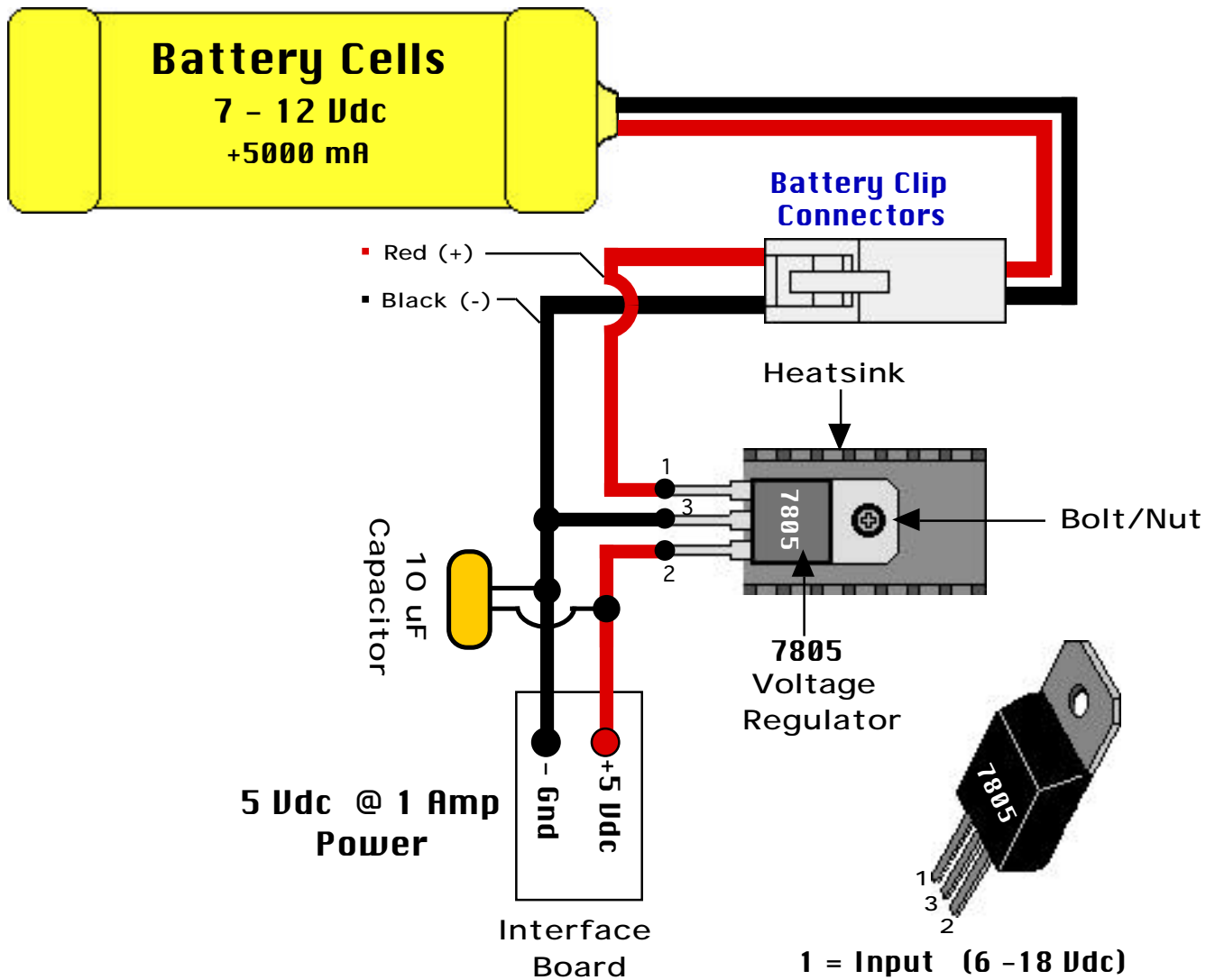


# Power Conversion

Technical

T



## Battery Cells



Battery Clip Connector (F)



Battery Clip Connector (M)

7-18 Vdc to +5 Vdc Converter	
7805	Voltage Regulator
10 uF / 50 V	Capacitor
7-18 Vdc Supply	Battery Supply
Heat Sink	
Bolt/Nut	
6-32x3/8 Pan	
6-32 Nylon Insert Stop Nut	